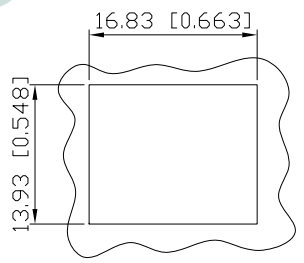
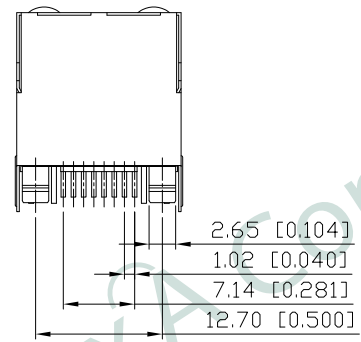
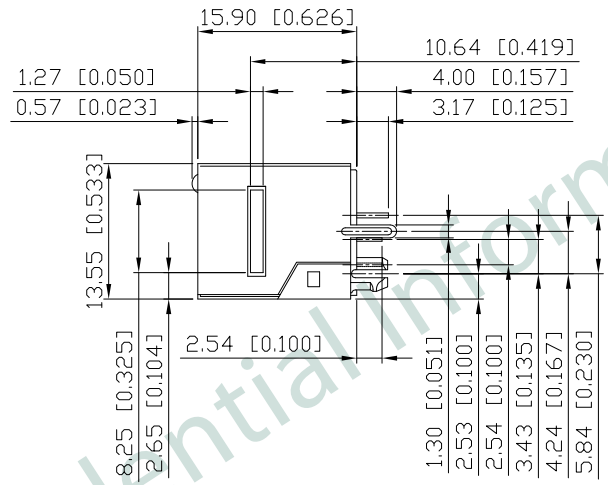
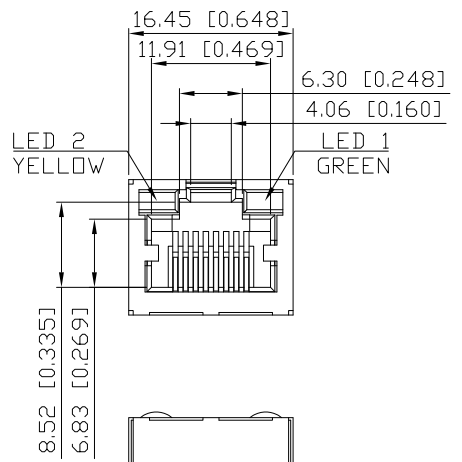
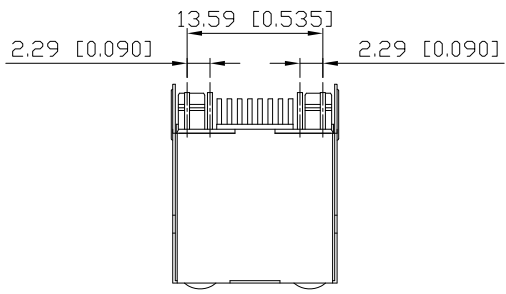


1. MECHANICAL DIMENSIONS :

| REV. | DATE         | DESCRIPTION |
|------|--------------|-------------|
| 01   | Jan. 10, '18 | 1st RELEASE |
|      |              |             |
|      |              |             |

A  
B  
C  
D  
E  
F



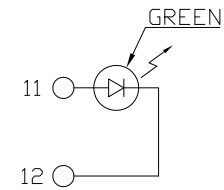
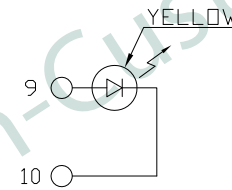
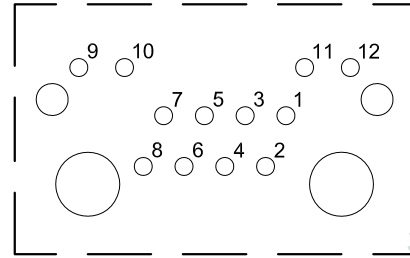
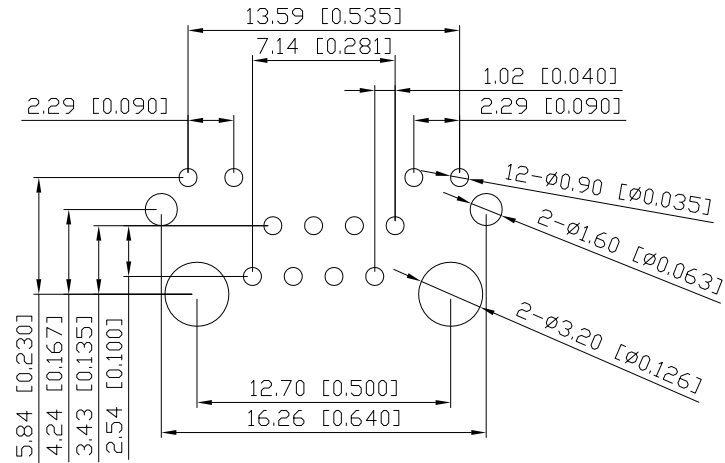
RECOMMENDED  
PANEL CUTOUT DIMENSION

- NOTES:
- MATERIAL:  
HOUSING: HIGH THERMOPLASTIC, UL94V-0, BLACK  
CONTACTS: PHOS-BRONZE,  
6 $\mu$ " GOLD PLATING ON CONTACT AREA,  
NICKEL UNDERPLATING OVERALL  
SHIELD: COPPER ALLOY, NICKEL PLATING
  - OPERATING TEMPERATURE: -40°C~+85°C
  - INSERTION FORCE: 4 POUNDS MAX.  
EXTRACTION FORCE: 4 POUNDS MAX.
  - DURABILITY: 750 MATING CYCLED MIN.
  - CAVITY CONFORMS TO FCC RULES AND REGULATIONS PART 68,  
SUBPART F.
  - UNSPECIFIED TOLERANCE: .XX  $\pm$ 0.25[0.010]  
.X  $\pm$ 0.30[0.012]

|          |  |                    |              |        |
|----------|--|--------------------|--------------|--------|
| PART NO  |  | KRV-S-01-8-8-1-5D4 |              |        |
| TITLE    | RJ45 8P8C, W/LED, SHIELDED,<br>VERTICAL TYPE |                    |              |        |
| REV : 01 |  |                    |              |        |
| UNIT     | DRAWN  | CHKD               | DATE         | SHEET  |
| mm[inch] | CINDY  | DANIEL             | Jan. 10, '18 | 1 of 3 |

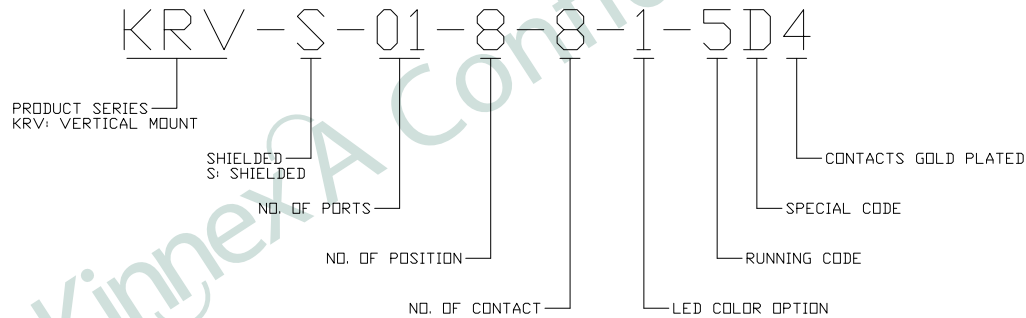
RoHS Compliant

2. PCB LAYOUT :



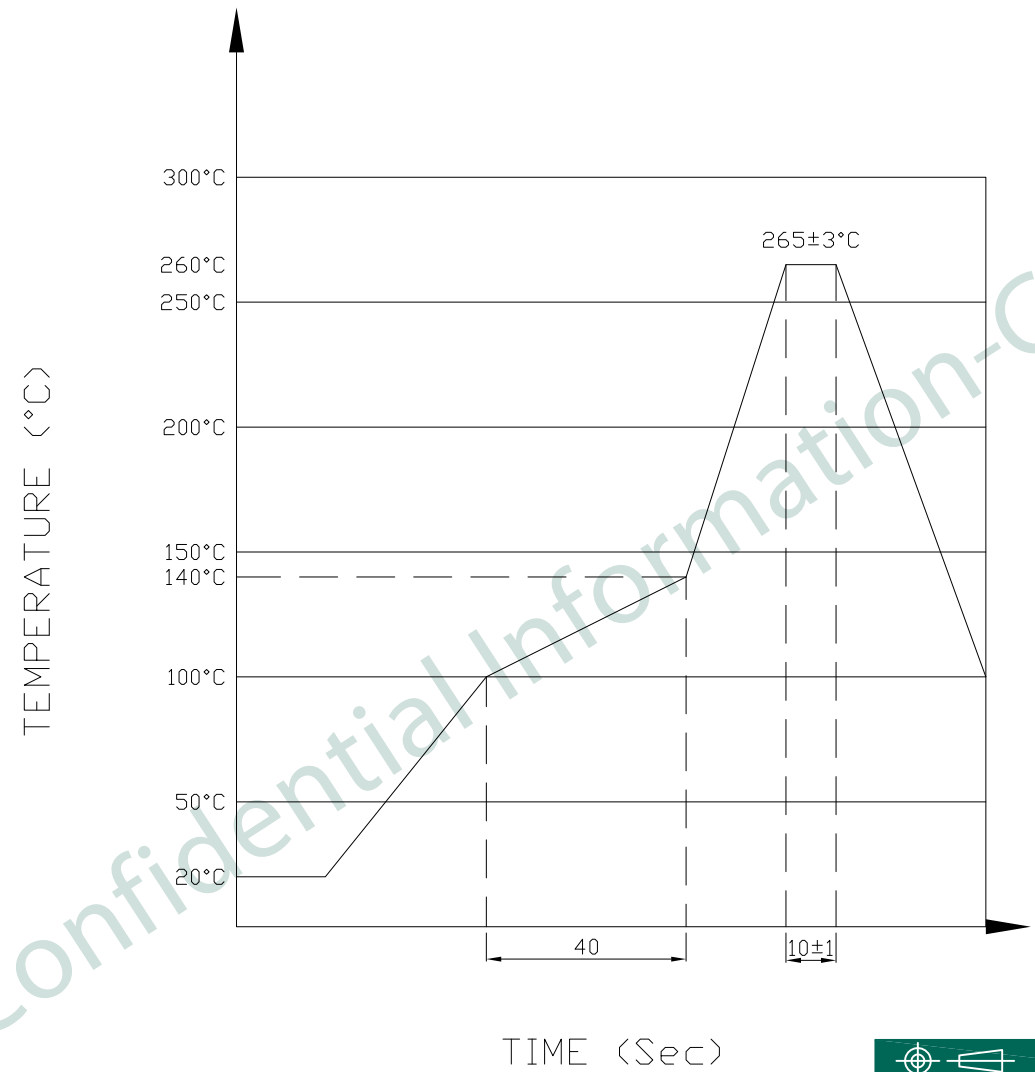
SUGGESTED PCB LAYOUT  
(FRONT VIEW) SCALE 2:1  
DIMENSIONAL TOLERANCE: .XX ±0.08[0.003]

| COLOR  | VF(V)<br>@20mA |     | IV(mcd)<br>@20mA | IF(mA) | PEAK WAVE LENGTH λP(nm)<br>@20mA |
|--------|----------------|-----|------------------|--------|----------------------------------|
|        | TYP            | MAX | TYP              | TYP    | TYP                              |
| YELLOW | 2.2            | 2.6 | 15               | 20     | 588                              |
| GREEN  | 2.2            | 2.6 | 10               | 20     | 570                              |



|          |   |                    |              |        |
|----------|---|--------------------|--------------|--------|
| PART NO  |   | KRV-S-01-8-8-1-5D4 |              |        |
| TITLE    | RJ45 8P8C, W/LED, SHIELDED, VERTICAL TYPE |                    |              |        |
| REV : 01 |   |                    |              |        |
| UNIT     | DRAWN                                     | CHKD               | DATE         | SHEET  |
| mm[inch] | CINDY                                     | DANIEL             | Jan. 10, '18 | 2 of 3 |

3. PROFILE OF WAVE SOLDER :



The measuring point for the specified temperature shall be on the soldered part of the lead

|          |   |                    |              |        |
|----------|---|--------------------|--------------|--------|
| PART NO  |   | KRV-S-01-8-8-1-5D4 |              |        |
| TITLE    | RJ45 8P8C, W/LED, SHIELDED, VERTICAL TYPE |                    |              |        |
| REV : 01 |   |                    |              |        |
| UNIT     | DRAWN                                     | CHKD               | DATE         | SHEET  |
| mm[inch] | CINDY                                     | DANIEL             | Jan. 10, '18 | 3 of 3 |