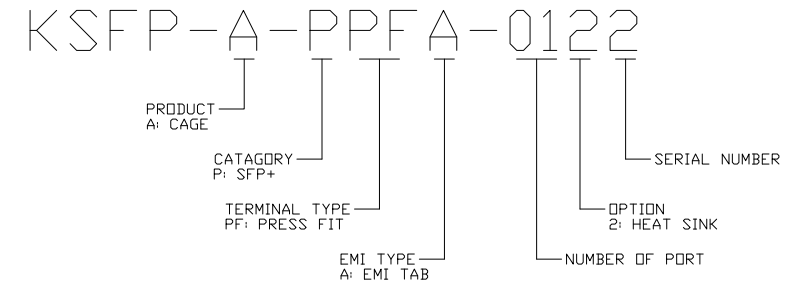
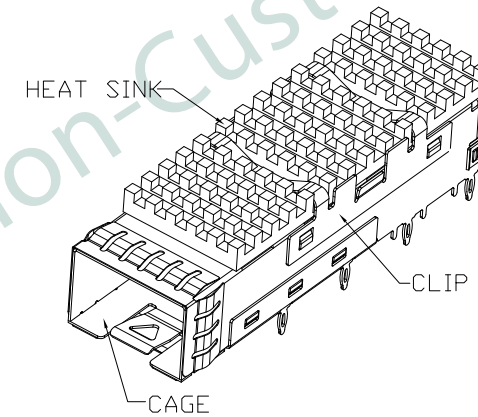
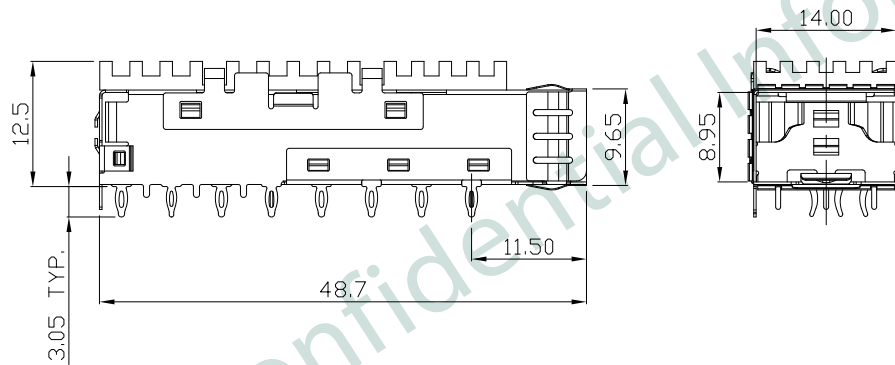
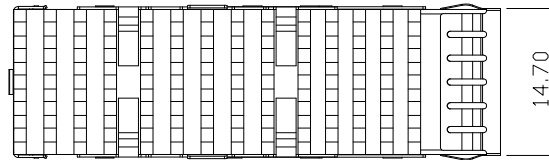


REV.	DATE	DESCRIPTION
01	Jul. 05, '18	1st RELEASE

NOTE:

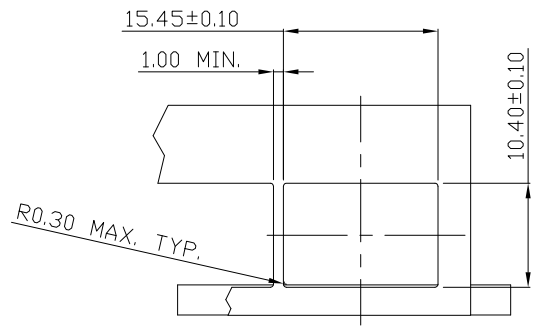
- MATERIAL
 CAGE: T=0.25mm, COPPER ALLOY
 HEAT SINK: ALUMINUA
 CLIP: STAINLESS STEEL
- UNSPECIFIED TOLERANCE: .XXX ±0.15
 .XX ±0.25
 .X ±0.35



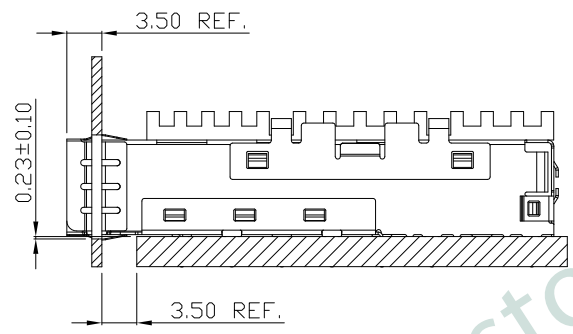
PART NO		KSFP-A-PPFA-0122		
TITLE	SFP+ CAGE, EMI TAB, HEAT SINK, PRESS FIT TYPE			
REV : 01				
UNIT	DRAWN	CHKD	DATE	SHEET
mm[inch]	CINDY	VINCENT	Jul. 05, '18	1 of 2

1 2 3 4 5 6 7 8

A

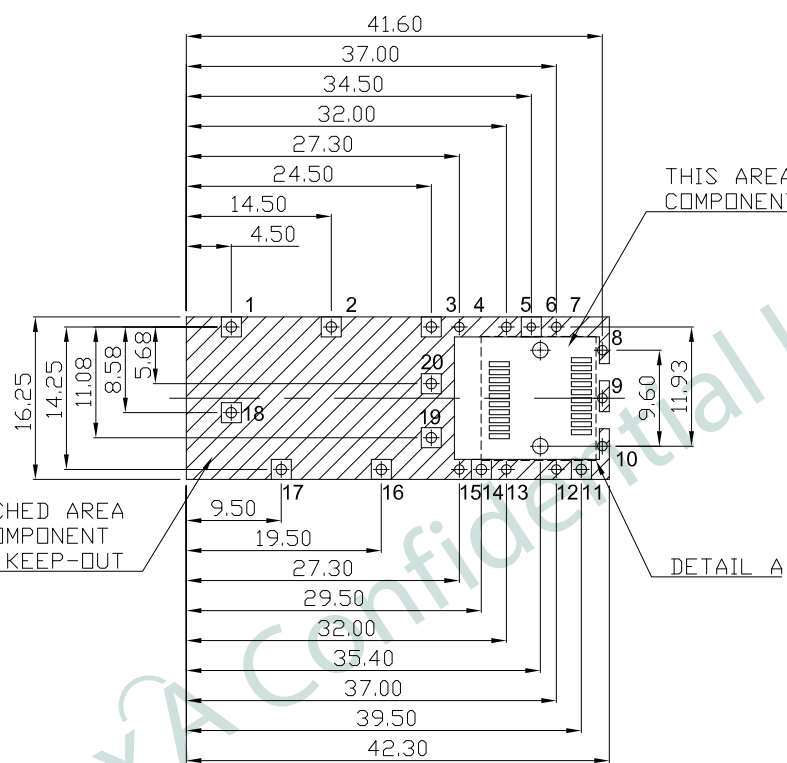


BEZEL
RECOMMENDED BEZEL THICKNESS: 0.80~2.60mm



BEZEL OPENING
BELOW TOP OF PCB

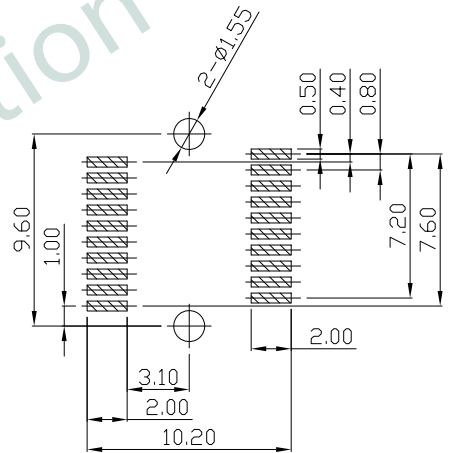
C



THIS AREA DENOTES
COMPONENT KEEP-OUT

CROSS-HATCHED AREA
DENOTES COMPONENT
AND TRACE KEEP-OUT

DETAIL A



DETAIL A
(SCALE 2:1)

RECOMMENDED PCB THICKNESS: 2.36mm
(MINIMUM PCB THICKNESS: 1.57mm)
ALL TOLERANCES ARE ±0.05

NOTE:
1,2,3,11,14,16,17,18,19,20= Ø1.05mm,
4,5,7,8,9,10,12,13,15= Ø0.95mm,
6= Ø0.85mm

PART NO		KSFP-A-PPFA-0122		
TITLE	SFP+ CAGE, EMI TAB, HEAT SINK, PRESS FIT TYPE			
REV : 01				
UNIT	DRAWN	CHKD	DATE	SHEET
mm[inch]	CINDY	VINCENT	Jul. 05, '18	2 of 2