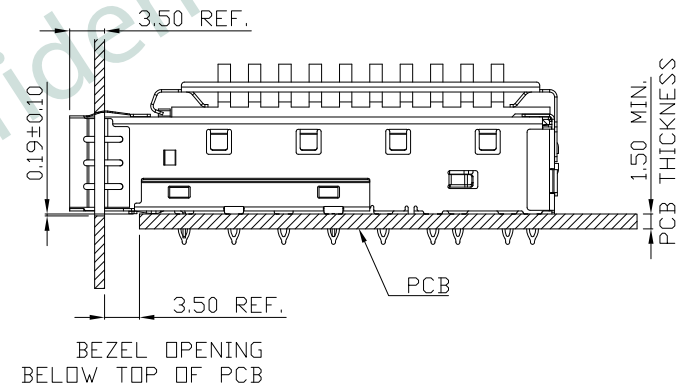
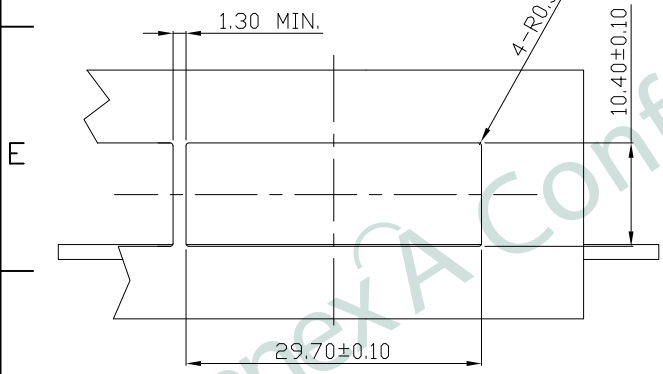
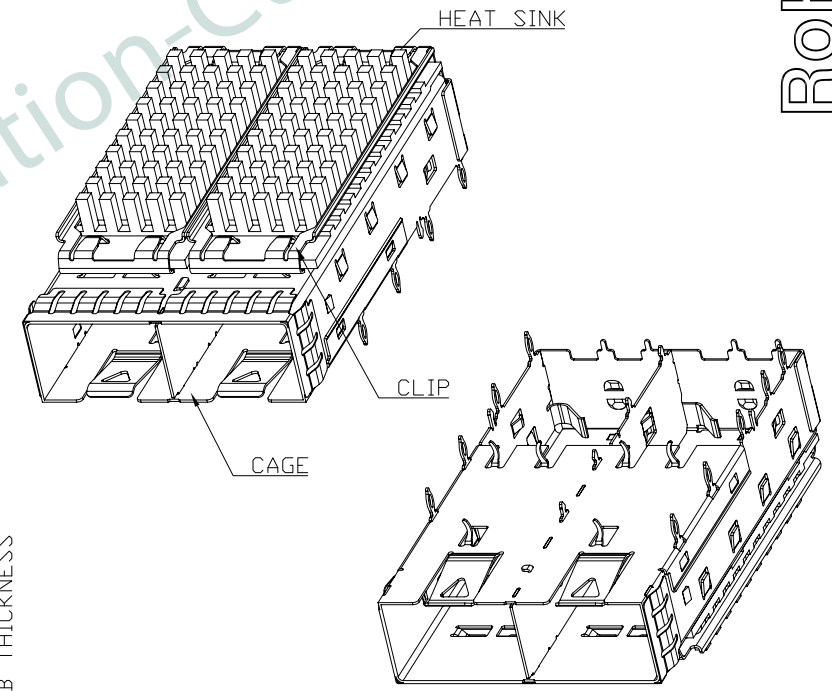
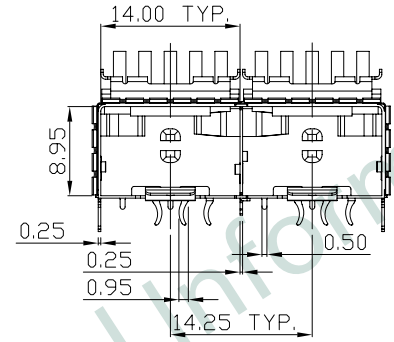
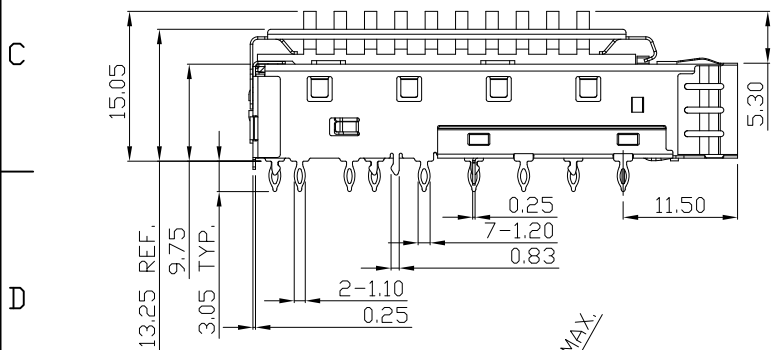
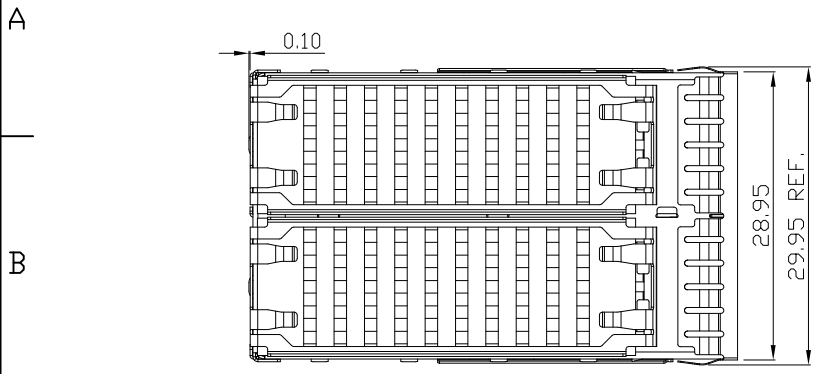


1. MECHANICAL DIMENSIONS :

REV.	DATE	DESCRIPTION
01	Jul. 05, '18	1st RELEASE

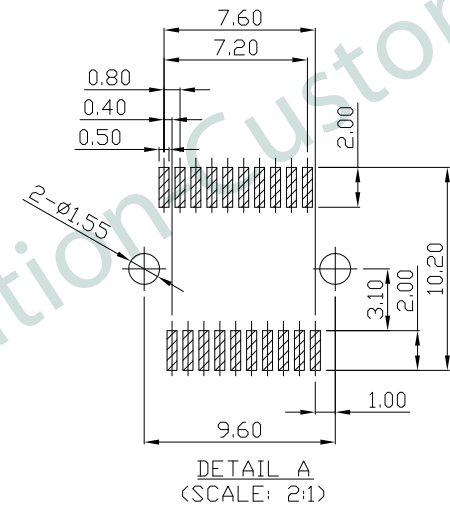
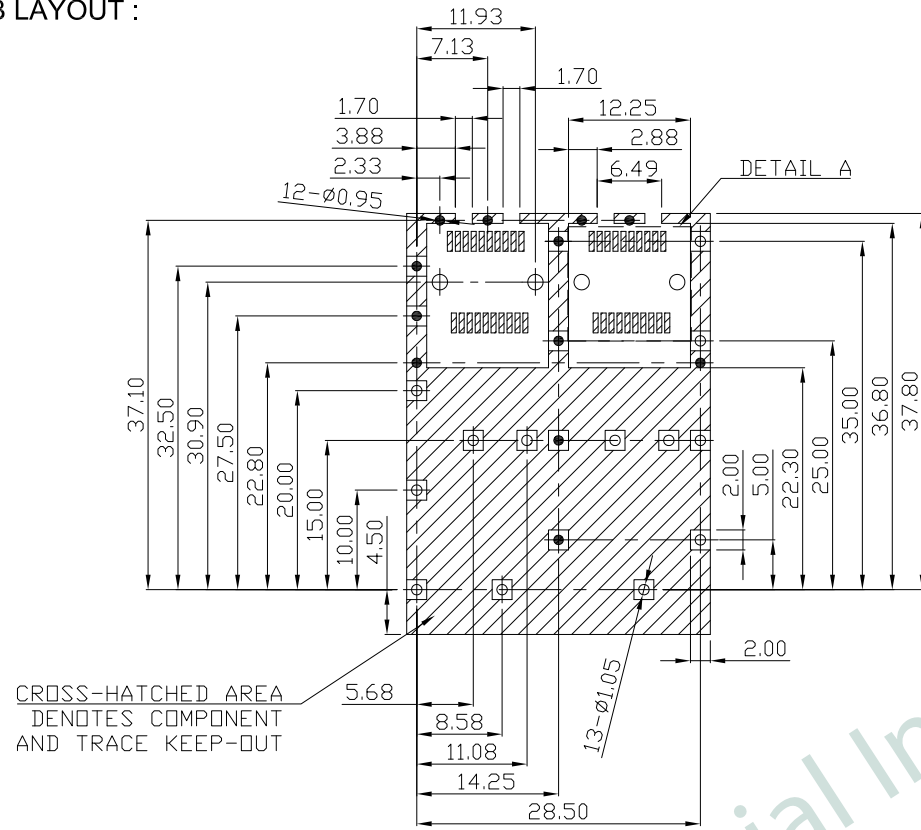
- NOTES:
1. CAGE: T=0.25mm COPPER ALLOY
 2. HEAT SINK: ALUMINUM
 3. CLIP: STAINLESS STEEL
 4. UNSPECIFIED TOLERANCE: .XXX ±0.15
.XX ±0.25



BEZEL
RECOMMENDED PANEL CUTOUT AND PC BOARD
PANEL POSITION AND THICKNESS: 0.8mm-2.6mm

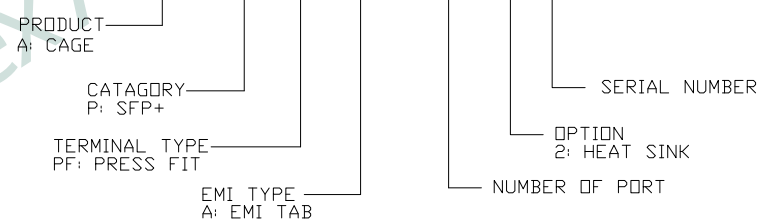
PART NO		KSFP-A-PPFA-0222		
TITLE	SFP+ CAGE, EMI TAB, HEAT SINK, PRESS FIT TYPE			
REV : 01				
UNIT	DRAWN	CHKD	DATE	SHEET
mm[inch]	CINDY	VINCENT	Jul. 05, '18	1 of 3

2. PCB LAYOUT :



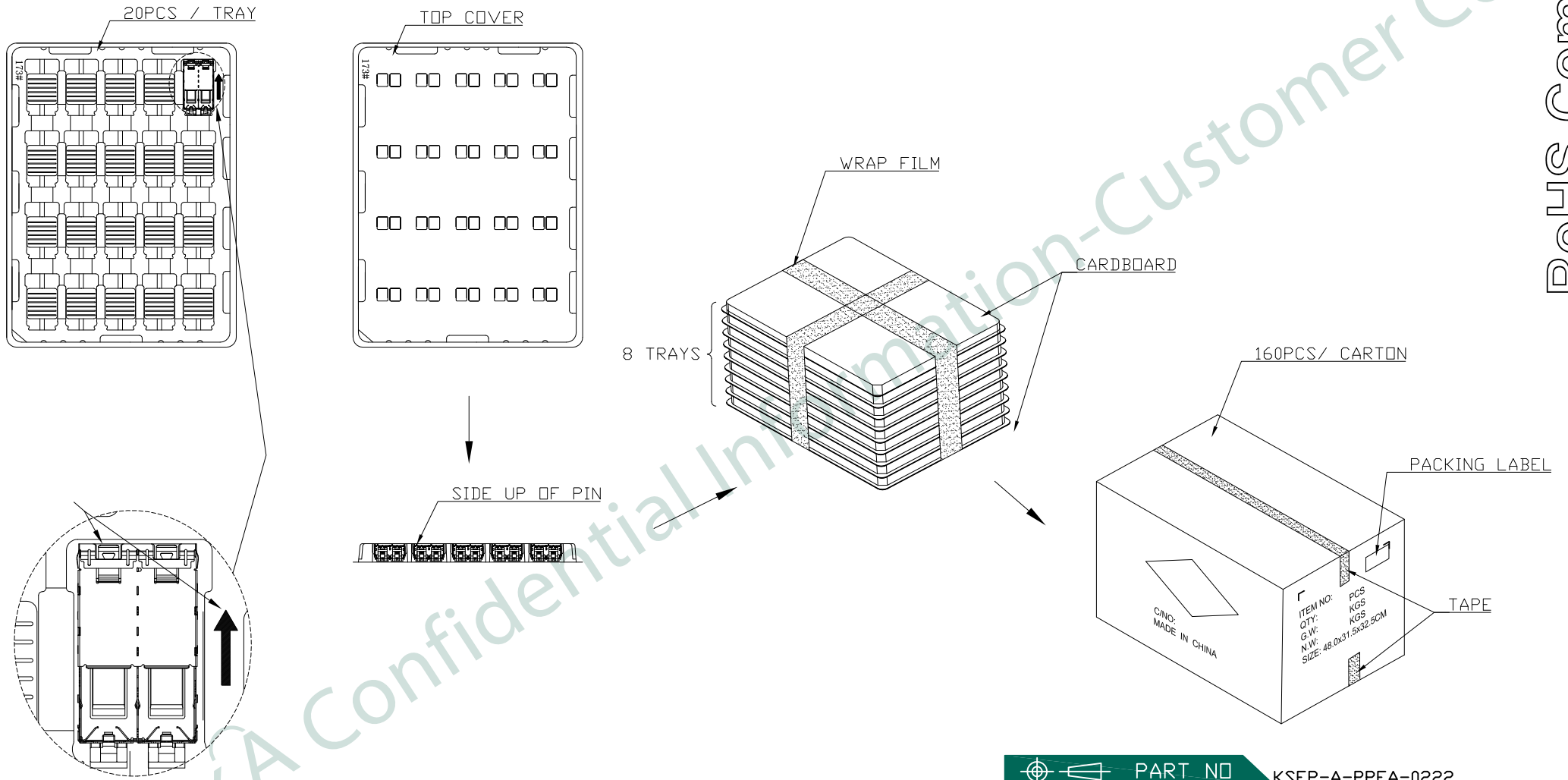
EDGE OF BOARD (COMPONENT SIDE)
 RECOMMENDED MINIMUM PCB THICKNESS: 1.50mm
 (ALL TOLERANCES ARE ±0.05)
 "□ ● ●" ROUND HOLE IS THROUGH HOLE

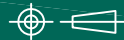
KSFP-A-PPFA-0222



PART NO		KSFP-A-PPFA-0222		
TITLE	SFP+ CAGE, EMI TAB, HEAT SINK, PRESS FIT TYPE			
REV : 01				
UNIT	DRAWN	CHKD	DATE	SHEET
mm[inch]	CINDY	VINCENT	Jul. 05, '18	2 of 3

3. PACKING SPECIFICATION:



 PART NO		KSFP-A-PPFA-0222		
TITLE	SFP+ CAGE, EMI TAB, HEAT SINK, PRESS FIT TYPE			
REV : 01				
UNIT	DRAWN	CHKD	DATE	SHEET
mm[inch]	CINDY	VINCENT	Jul. 05, '18	3 of 3

DWG NO KSFP-A-PPFA-0222

KinnexA, INC. 8F, No. 172, CHENG TEH ROAD SEC. 4, TAIPEI 11167, TAIWAN

Connected by 

PRELIMINARY RELEASE SUBJECT TO CHANGE

※ THIS DRAWING IS A CONTROLLED DOCUMENT ※

RoHS Compliant