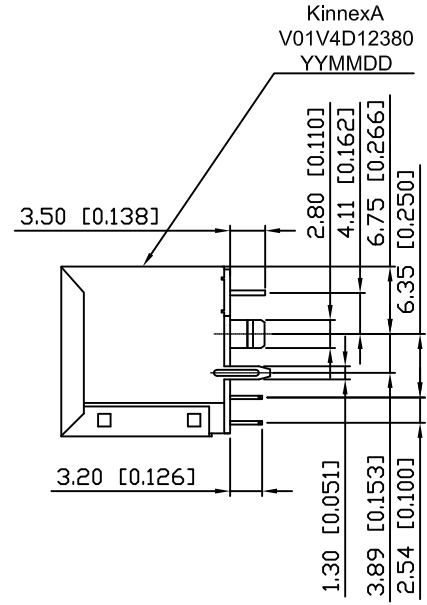
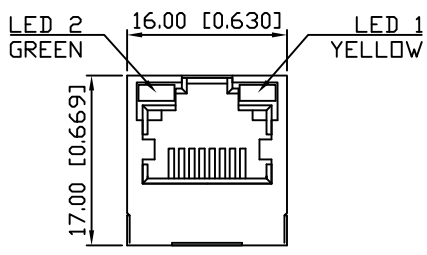


1. MECHANICAL DIMENSIONS :

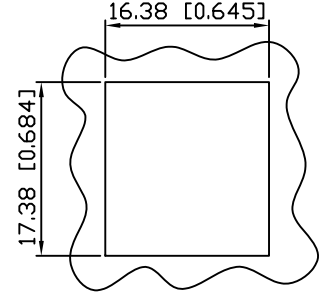
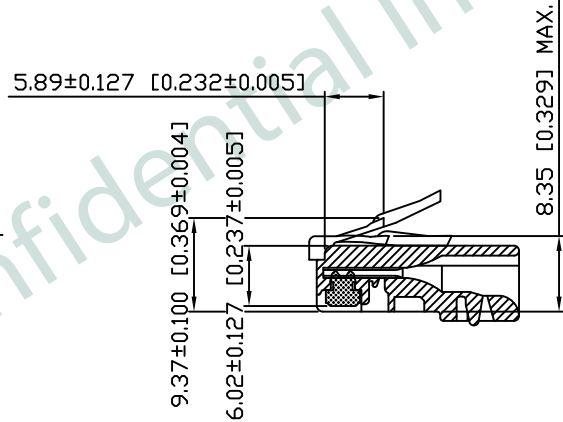
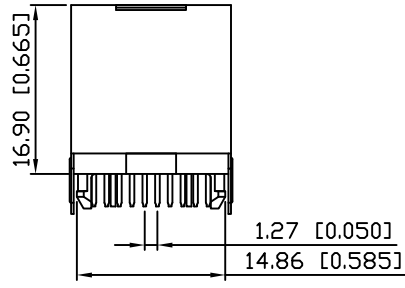
REV.	DATE	DESCRIPTION
01	Jul.14,16	1st RELEASE

A
B
C
D
E
F



- NOTES:
- MATERIAL:
HOUSING: PBT THERMOPLASTIC, UL94V-0, BLACK
CONTACTS: PHOS-BRONZE,
PLATED 30u" GOLD ON CONTACT AREA
SHIELD: COPPER ALLOY, PLATED NICKEL
 - OPERATING TEMPERATURE: -40°C~+85°C
 - INSERTION FORCE: 4 POUNDS MAX.
EXTRACTION FORCE: 4 POUNDS MAX.
 - DURABILITY: 750 MATING CYCLED MIN.
 - CAVITY CONFORMS TO FCC RULES AND REGULATIONS PART 68, SUBPART F.
 - UNSPECIFIED TOLERANCE: .XX ±0.25[0.010]
.X ±0.30[0.012]

RECOMMENDED PLUG DIMENSION:



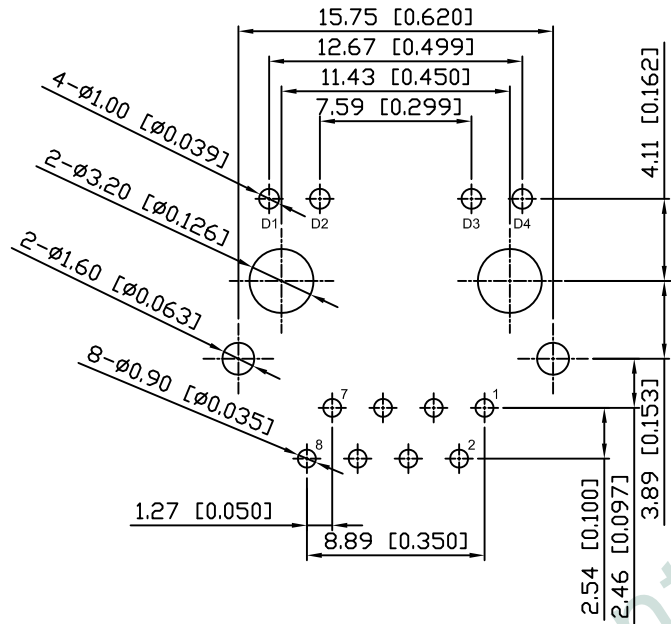
RECOMMENDED PANEL CUTOUT DIMENSION

PART NO		KRV-01V-4-D12-380		
TITLE	VERTICAL TYPE RJ45 8P8C, W/ 10/100 TRANSFORMER, W/LED, SHIELDED			
REV : 01				
UNIT	DRAWN	CHKD	DATE	SHEET
mm[inch]	DANIEL	RYAN	Jul.14,16	1 of 4

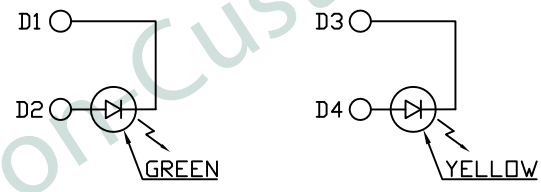
ROHS Compliant

2. PCB LAYOUT :

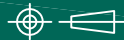
3. LED CONFIGURATION :



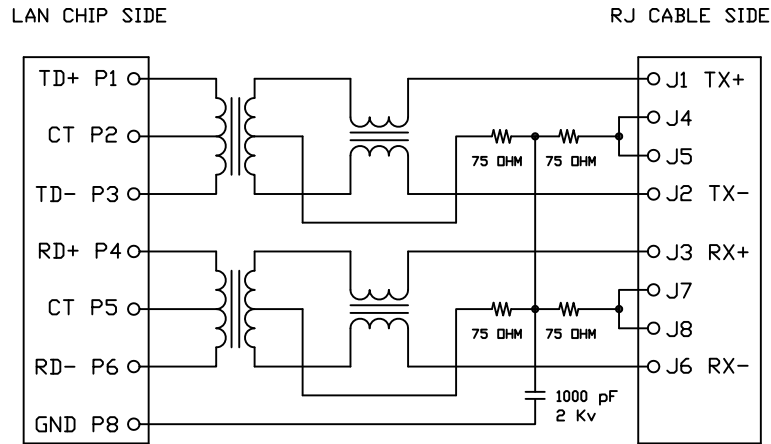
SUGGESTED PCB LAYOUT
(TOP VIEW) SCALE 2:1
DIMENSIONAL TOLERANCE: .XX ±0.08[0.003]



Color	VF(V) @20mA		IV(mcd) @20mA		Peak wave Length λP(nm) @20mA
	Typ.	Max	Typ.	Typ.	Typ.
Yellow	2.2	2.6	15	20	588
Green	2.2	2.6	10	20	570

 PART NO		KRV-01V-4-D12-380		
TITLE		VERTICAL TYPE RJ45 8P8C, W/ 10/100 TRANSFORMER, W/LED, SHIELDED		
REV : 01				
UNIT	DRAWN	CHKD	DATE	SHEET
mm[inch]	DANIEL	RYAN	Jul.14,16	2 of 4

4. SCHEMATIC :



5. ELECTRICAL CHARACTERISTICS :

TEST NOTES:($25 \pm 5^\circ\text{C}$)

- 1.TR:
INPUT TO OUTPUT= $1:1 \pm 3\%$
- 2.LX:(100KHz , 100mV , 8mA , DC Bias)
 $350\mu\text{H}$ MINIMUM
- 3.DCR:
EVERY RJ PAIR= 1.2Ω MAXIMUM
- 4.HIPOT:
INPUT TO OUTPUT PIN: $1500 \text{ VAC}/60\text{SEC}$
- 5.INSERTION LOSS:
 -1.0dB MAXIMUM AT 0.3MHz TO 100MHz
- 6.RETURN LOSS:
 -20dB MINIMUM AT 1MHz TO 30MHz
 -15dB MINIMUM AT 30MHz TO 60MHz
 -10dB MINIMUM AT 60MHz TO 80MHz
- 7.CROSS TALK:
 -30dB MINIMUM AT 1MHz TO 100MHz
- 8.COMMON TO COMMON MODE REJECTION:
 -30dB MINIMUM AT 1MHz TO 100MHz

KRV-01V-4-D12-380

PRODUCT SERIES
KRV: VERTICAL MOUNT

MECHANICAL TYPE
01V: KRV 1P0RT SERIES

LED COLOR OPTION

CIRCUIT TYPE

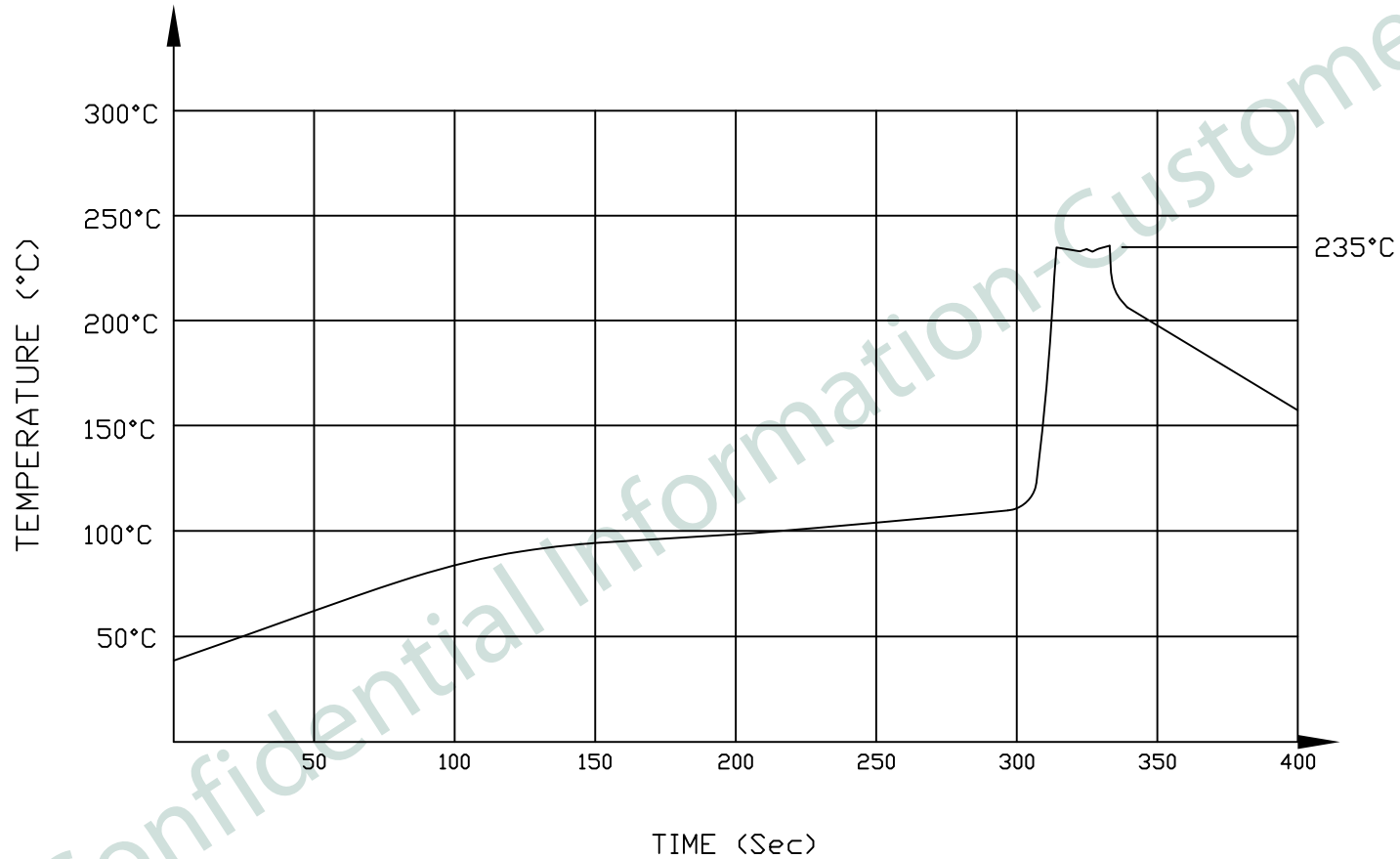
SPECIAL CODE
0: STANDARD

SHIELDED TYPE
8: NON-EMI FINGER

LED POLARITY
3: -+, -+

PART NO		KRV-01V-4-D12-380		
TITLE	VERTICAL TYPE RJ45 8P8C, W/ 10/100 TRANSFORMER, W/LED, SHIELDED			
REV : 01				
UNIT	DRAWN	CHKD	DATE	SHEET
mm[inch]	DANIEL	RYAN	Jul.14,16	3 of 4


6. PROFILE OF WAVE SOLDER :



SUGGESTED WAVE SOLDER CURVE

(1) TIP temperature : 235±5°C

(2) TIP temperature time : 10Sec. Max.

 PART NO		KRV-01V-4-D12-380		
TITLE		VERTICAL TYPE RJ45 8P8C, W/ 10/100 TRANSFORMER, W/LED, SHIELDED		
REV : 01				
UNIT	DRAWN	CHKD	DATE	SHEET
mm[inch]	DANIEL	RYAN	Jul.14,16	4 of 4