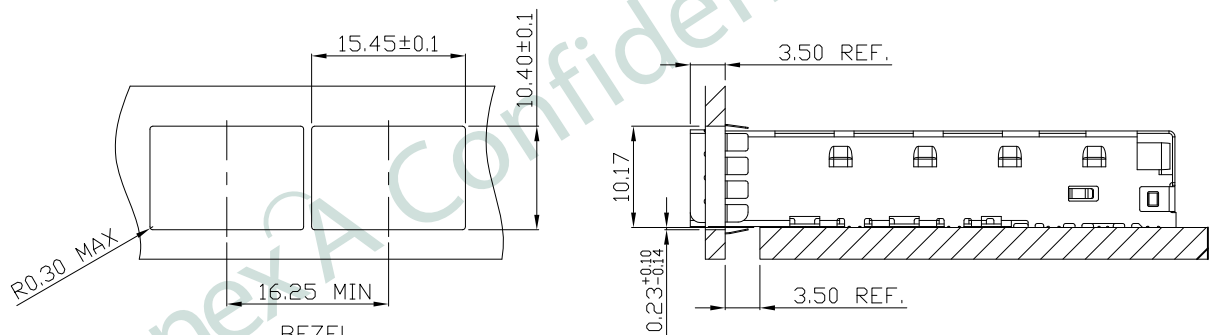
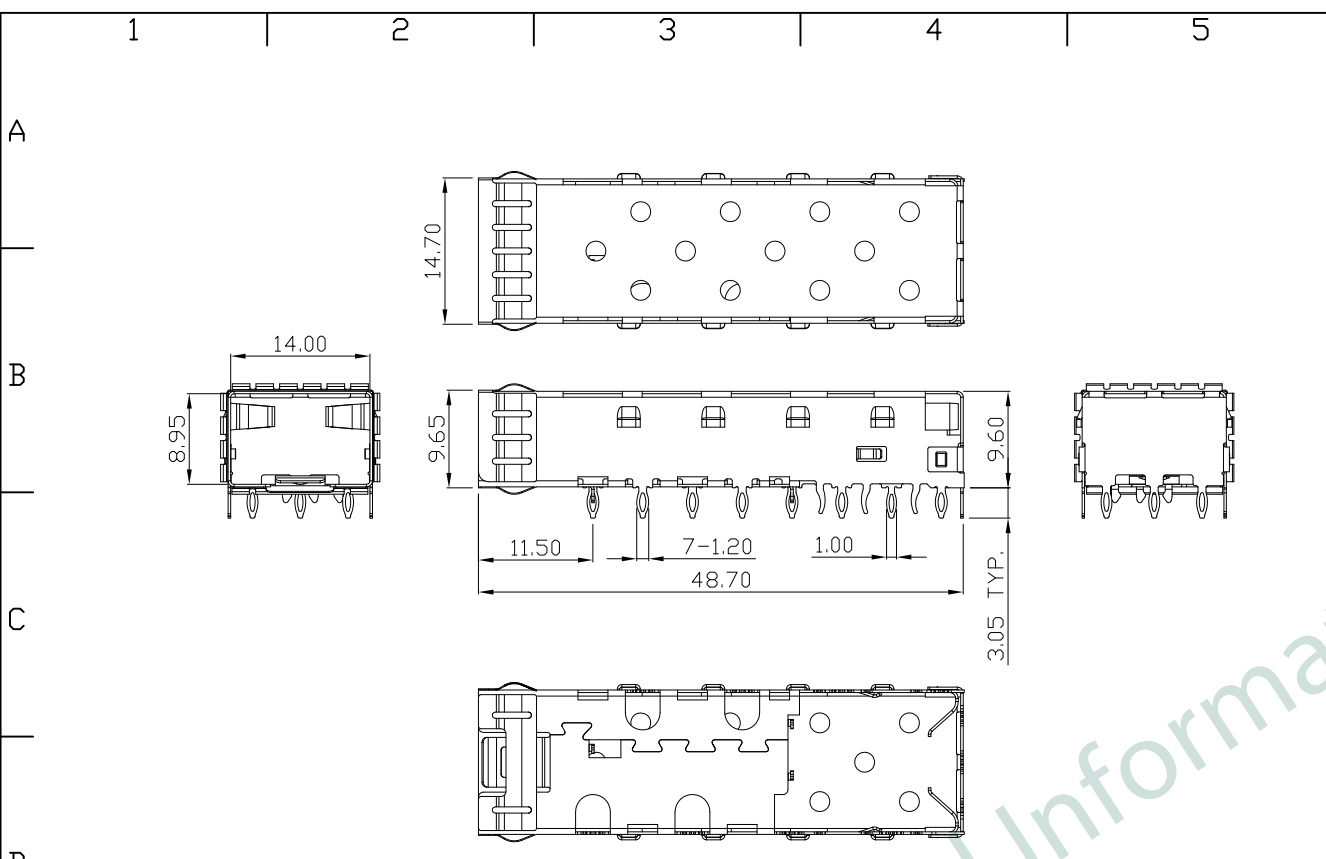
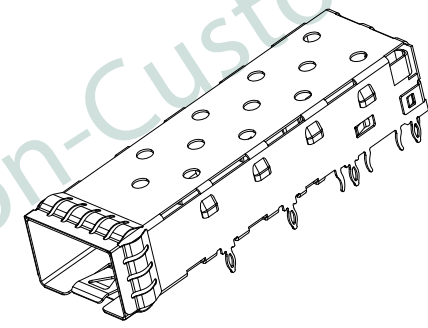


REV.	DATE	DESCRIPTION
01	Mar. 07, '19	1st RELEASE

- NOTES:
 1. MATERIAL: T=0.25mm COPPER ALLOY
 2. UNSPECIFIED TOLERANCE: .XX ±0.25

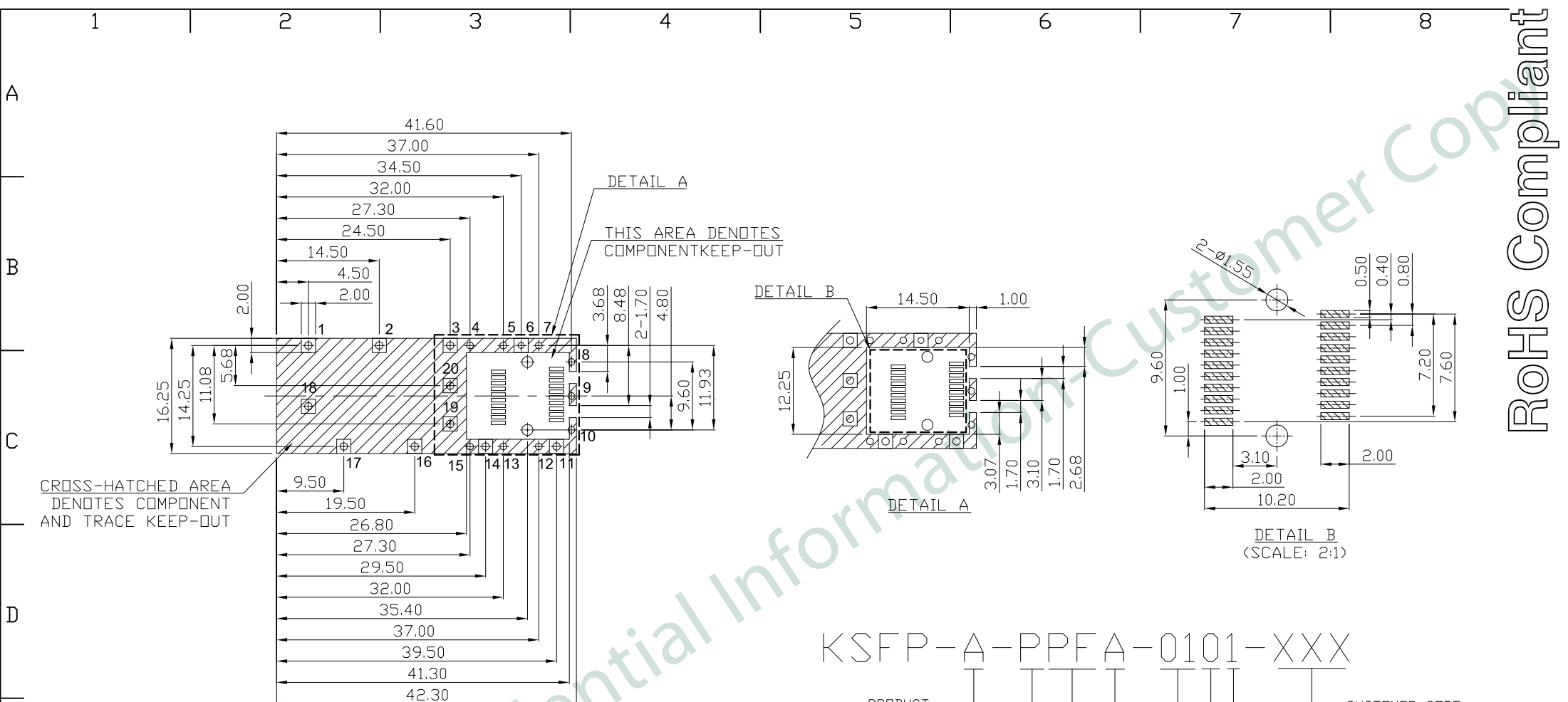


BEZEL
 RECOMMENDED PANEL CUTOUT AND PC BOARD
 PANEL POSITION AND THICKNESS: 0.8mm-2.6mm

BEZEL OPENING BELOW TOP OF PCB

PART NO		KSFP-A-PPFA-0101-XXX		
TITLE	SFP+ CAGE, W/D LIGHT PIPE, PRESS FIT			
REV : 01				
UNIT	DRAWN	CHKD	DATE	SHEET
mm[inch]	CINDY	VINCENT	Mar. 07, '19	1 of 2

RoHS Compliant



T=2.36mm RECOMMENDED PCB (TOP VIEW)
 (T=1.57mm MINIMUM PCB)
 (ALL TOLERANCES ARE ±0.05)

NOTE:
 Ø1.05mm= (1, 2, 3, 11, 14, 16, 17, 18, 19, 20)
 Ø0.95mm= (4, 5, 7, 8, 9, 10, 12, 13, 15)
 Ø0.85mm= (6)

KSFP-A-PPFA-0101-XXX

PRODUCT A: CAGE
 CATEGORY P: SFP+
 TERMINAL TYPE PP: PRESS FIT
 EMI TYPE A: EMI TAB
 CUSTOMER CODE
 SERIAL NUMBER
 OPTION 0: W/D LIGHT PIPE
 NUMBER OF PORT

PART NO		KSFP-A-PPFA-0101-XXX		
TITLE	SFP+ CAGE, W/D LIGHT PIPE, PRESS FIT			
REV : 01				
UNIT	DRAWN	CHKD	DATE	SHEET
mm[inch]	CINDY	VINCENT	Mar. 07, '19	2 of 2