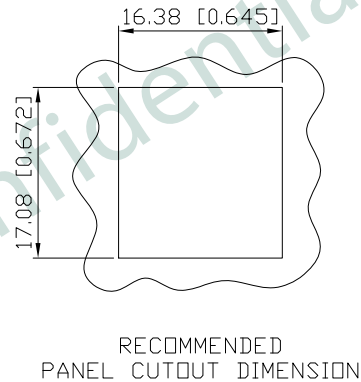
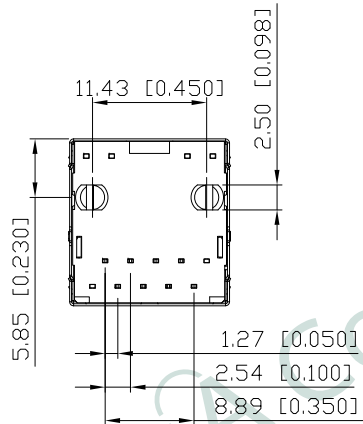
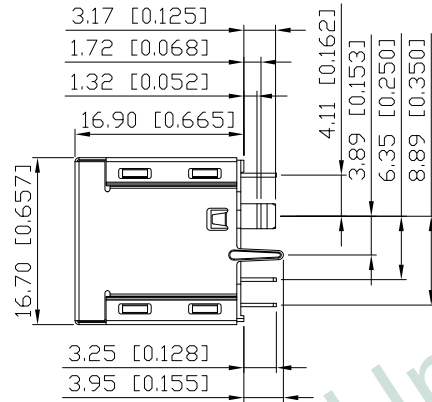
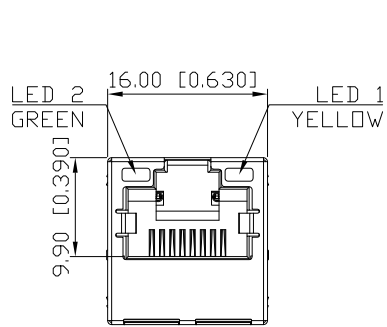


1. MECHANICAL DIMENSIONS :

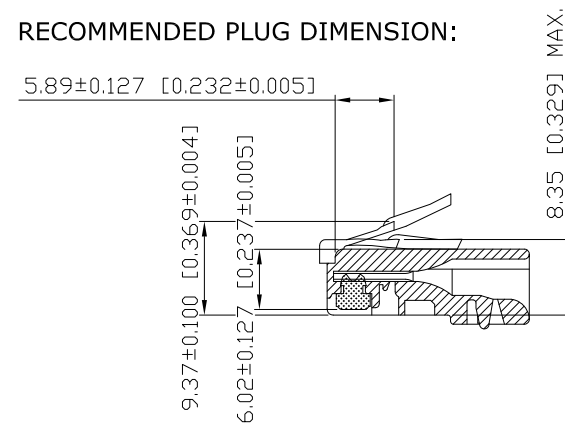
REV.	DATE	DESCRIPTION
01	Apr. 23, '18	1st RELEASE

A
B
C
D
E
F



- NOTES:
- MATERIAL:
HOUSING: HIGH THERMOPLASTIC, UL94V-0, BLACK
CONTACTS: PHOS-BRONZE,
6μ" GOLD PLATING ON CONTACT AREA,
NICKEL UNDERPLATING OVERALL
SHIELD: T=0.20mm STAINLESS
 - OPERATING TEMPERATURE: 0°C~+70°C
 - INSERTION FORCE: 4 POUNDS MAX.
EXTRACTION FORCE: 4 POUNDS MAX.
 - DURABILITY: 750 MATING CYCLED MIN.
 - CAVITY CONFORMS TO FCC RULES AND REGULATIONS PART 68,
SUBPART F.
 - UNSPECIFIED TOLERANCE: .XX ±0.25[0.010]
.X ±0.30[0.012]

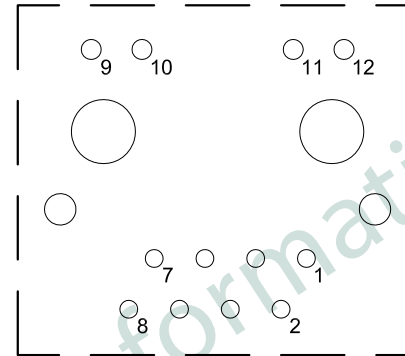
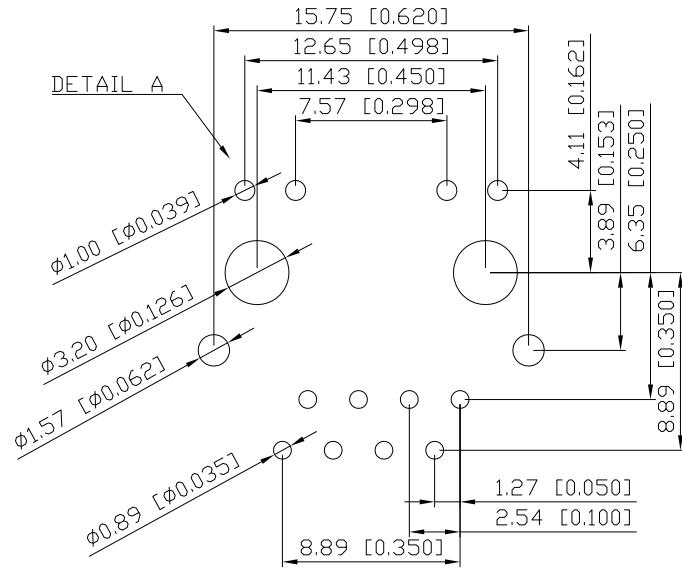
RECOMMENDED PLUG DIMENSION:



PART NO		KRV-01V-4-D12-180		
TITLE	VERTICAL TYPE RJ45 8P8C, W/ 10/100 TRANSFORMER, W/LED, SHIELDED			
REV : 01				
UNIT	DRAWN	CHKD	DATE	SHEET
mm[inch]	CINDY	VINCENT	Apr. 23, '18	1 of 4

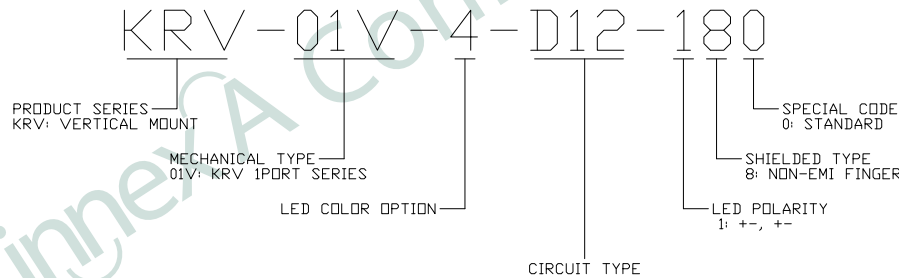
ROHS Compliant

2. PCB LAYOUT :



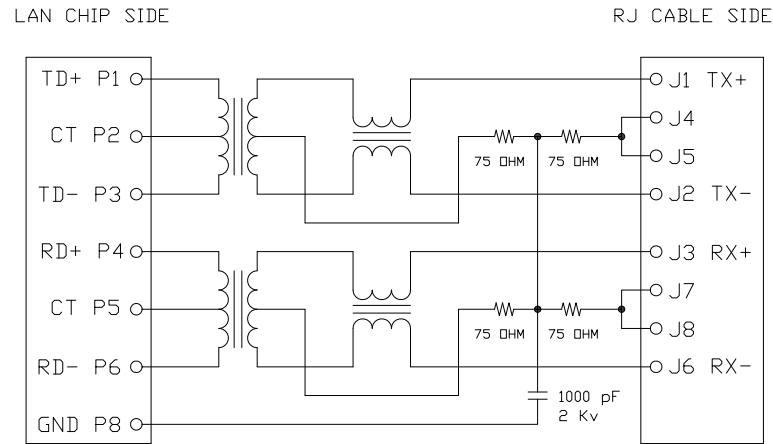
P#	DEFINITION
P1	TD+
P2	CT
P3	TD-
P4	RD+
P5	CT
P6	RD-
P7	-
P8	GND
P9	LEFT GR+
P10	LEFT GR-
P11	RIGHT YE+
P12	RIGHT YE-

SUGGESTED PCB LAYOUT
(FRONT VIEW) SCALE:2:1
DIMENSIONAL TOLERANCE: .XX ±0.08[0.003]



PART NO		KRV-01V-4-D12-180		
TITLE	VERTICAL TYPE RJ45 8P8C, W/ 10/100 TRANSFORMER, W/LED, SHIELDED			
REV : 01				
UNIT	DRAWN	CHKD	DATE	SHEET
mm[inch]	CINDY	VINCENT	Apr. 23, '18	2 of 4

3. SCHEMATIC :



COLOR	VF(V) @20mA		IV(mcd) @20mA	IF(mA)	PEAK WAVE LENGTH λP(nm) @20mA
	TYP	MAX	TYP	TYP	TYP
GREEN	2.2	2.6	10	20	570
YELLOW	2.2	2.6	15	20	588

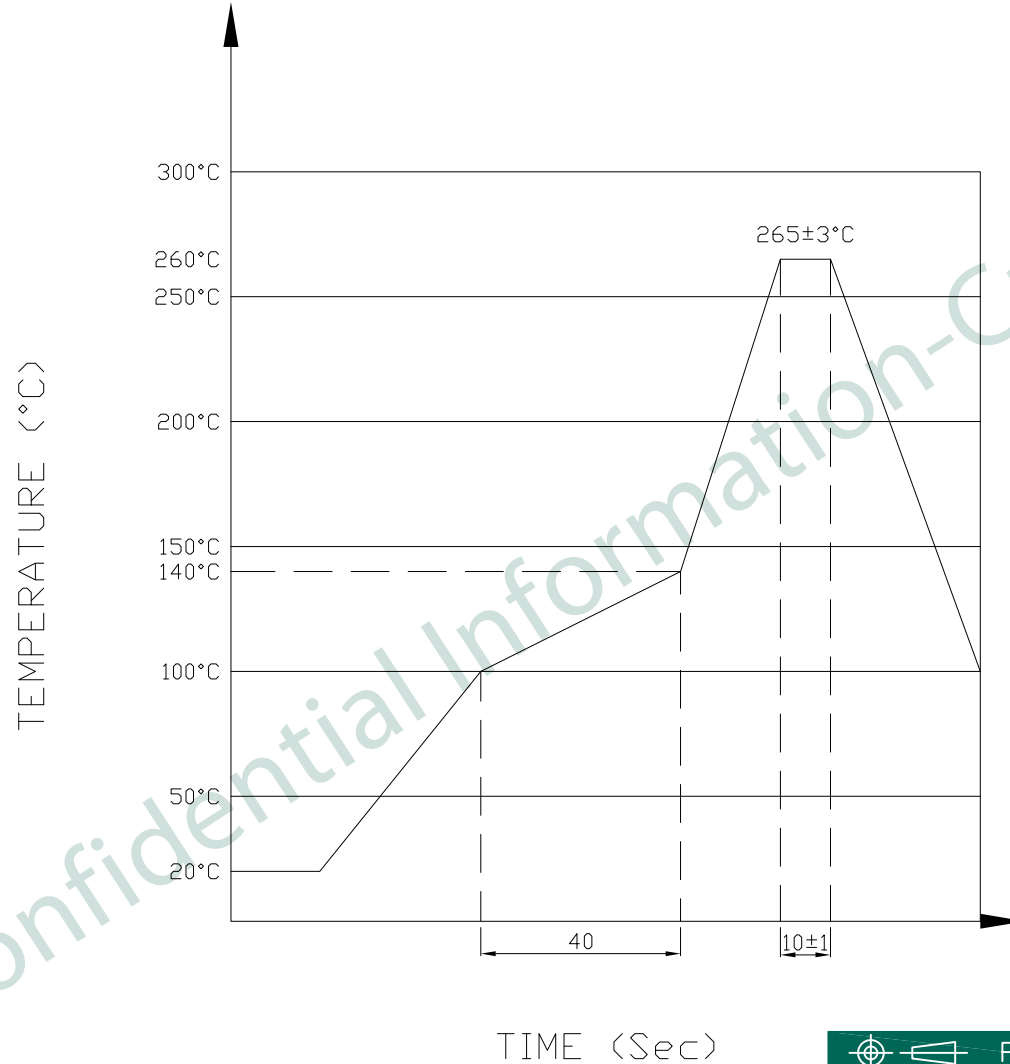
4. ELECTRICAL CHARACTERISTICS :

TEST NOTES:(25±5°C)

- TR:
INPUT TO OUTPUT=1:1±3%
- LX:(100KHz,100mV,8mA, DC Bias)
350uH MINIMUM
- DCR:
EVERY RJ PAIR=1.2 Ω MAXIMUM
- HIPOT:
INPUT(RJ SIDE) TO OUTPUT(LAN SIDE):
1500 VAC/60SEC
- INSERTION LOSS:
-1.0dB MAXIMUM AT 0.3MHz TO 100MHz
- RETURN LOSS:
-20dB MINIMUM AT 1MHz TO 30MHz
-15dB MINIMUM AT 30MHz TO 60MHz
-10dB MINIMUM AT 60MHz TO 80MHz
- CROSS TALK:
-30dB MINIMUM AT 1MHz TO 100MHz
- COMMON TO COMMON MODE REJECTION:
-30dB MINIMUM AT 1MHz TO 100MHz

PART NO		KRV-01V-4-D12-180		
TITLE	VERTICAL TYPE RJ45 8P8C, W/ 10/100 TRANSFORMER, W/LED, SHIELDED			
REV : 01				
UNIT	DRAWN	CHKD	DATE	SHEET
mm[inch]	CINDY	VINCENT	Apr. 23, '18	3 of 4

5. PROFILE OF WAVE SOLDER :



The measuring point for the specified temperature shall be on the soldered part of the lead

PART NO KRV-01V-4-D12-180				
TITLE	VERTICAL TYPE RJ45 8P8C, W/ 10/100 TRANSFORMER, W/LED, SHIELDED			
REV : 01				
UNIT	DRAWN	CHKD	DATE	SHEET
mm[inch]	CINDY	VINCENT	Apr. 23, '18	4 of 4