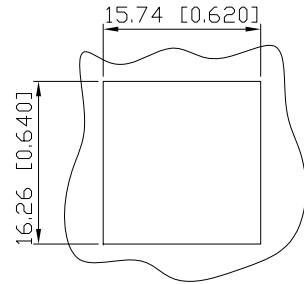


1. MECHANICAL DIMENSIONS :

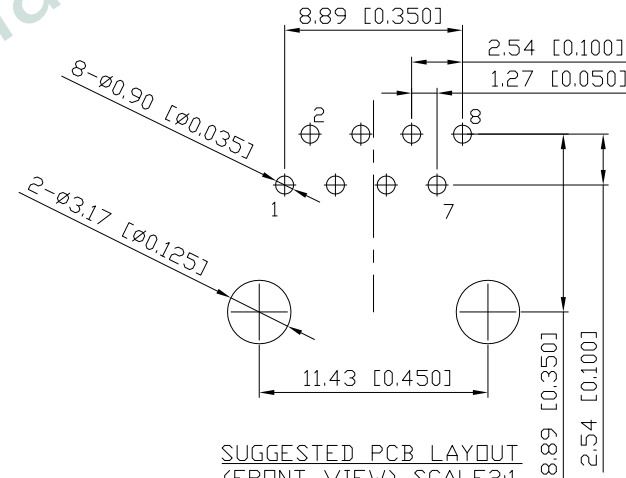
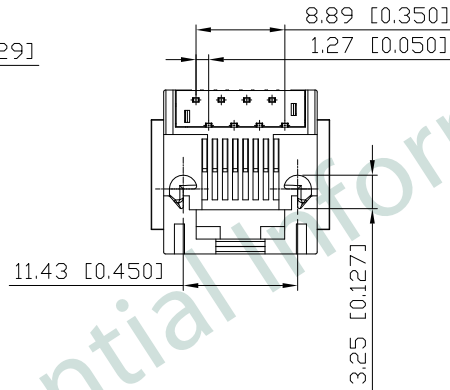
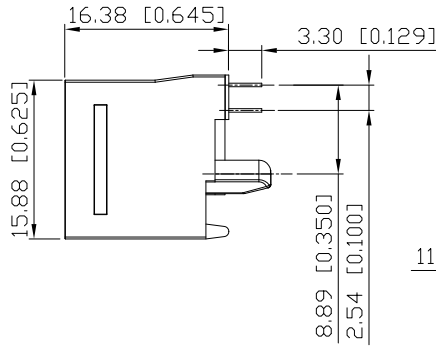
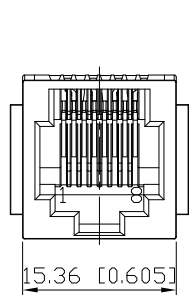
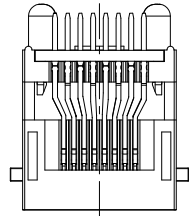
REV.	DATE	DESCRIPTION
01	Apr. 24, '19	1st RELEASE

NOTES:

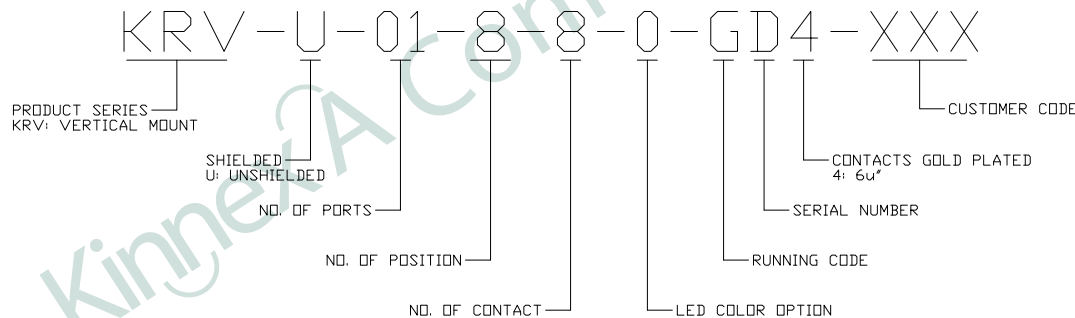
- MATERIAL:  
HOUSING: HIGH THERMOPLASTIC, UL94V-0, BLACK  
CONTACTS: T=0.35mm PHOS-BRONZE,  
6u" GOLD PLATING ON CONTACT AREA,  
NICKEL UNDERPLATING OVERALL
- OPERATING TEMPERATURE: -40°C~+85°C
- INSERTION FORCE: 4 POUNDS MAX.  
EXTRACTION FORCE: 4 POUNDS MAX.
- DURABILITY: 750 MATING CYCLED MIN.
- CAVITY CONFORMS TO FCC RULES AND REGULATIONS PART 68,  
SUBPART F.
- UNSPECIFIED TOLERANCE: .XX ±0.25[0.010]  
.X ±0.30[0.012]



RECOMMENDED  
PANEL CUTOUT DIMENSION

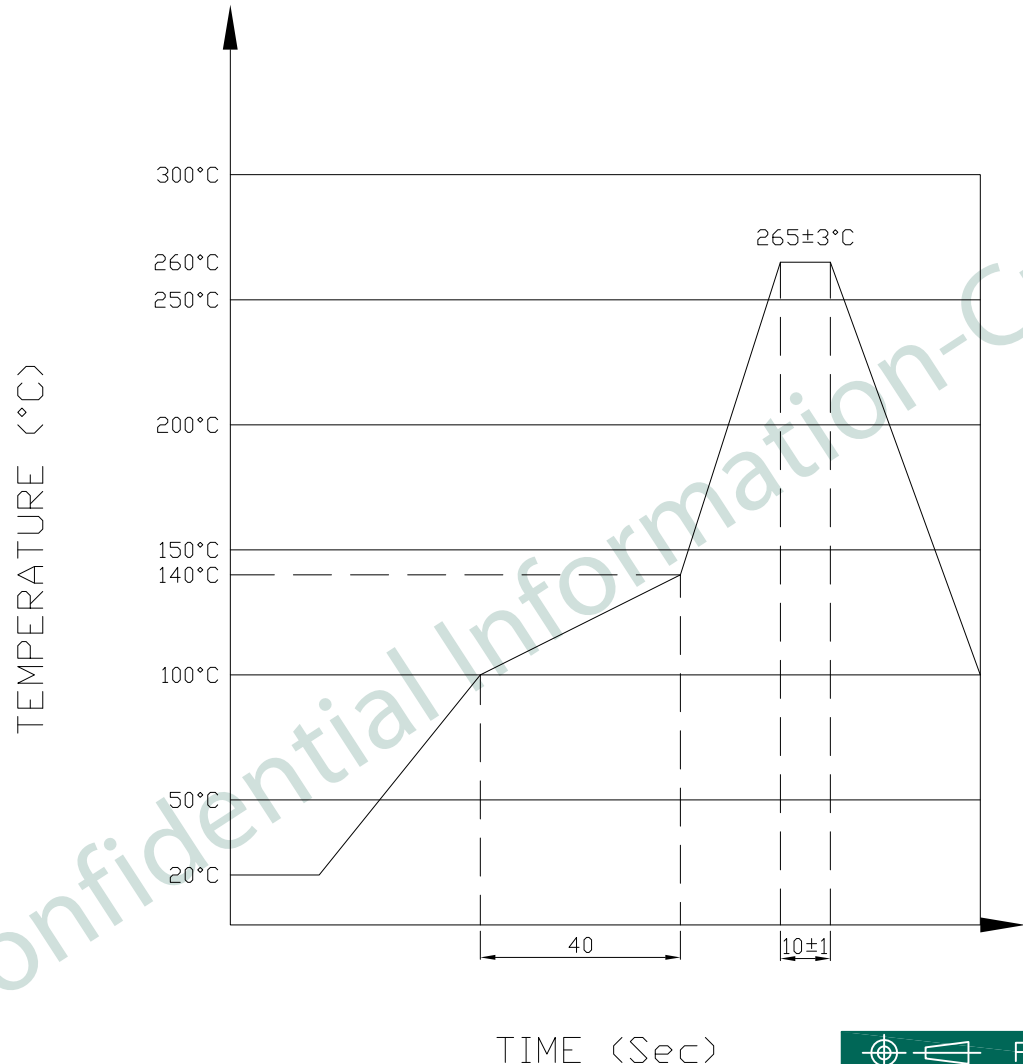


SUGGESTED PCB LAYOUT  
(FRONT VIEW) SCALE:2:1  
DIMENSIONAL TOLERANCE: .XX ±0.08[0.003]




PART NO		KRV-U-01-8-8-0-GD4-XXX		
TITLE	RJ45 8P8C, W/D LED, UNSHIELDED, VERTICAL TYPE			
REV : 01				
UNIT	DRAWN	CHKD	DATE	SHEET
mm[inch]	CINDY	VINCENT	Apr. 24, '19	1 of 2

2. PROFILE OF WAVE SOLDER :



The measuring point for the specified temperature shall be on the soldered part of the lead

 PART NO		KRV-U-01-8-8-0-GD4-XXX		
TITLE	RJ45 8P8C, W/D LED, UNSHIELDED, VERTICAL TYPE			
REV : 01				
UNIT	DRAWN	CHKD	DATE	SHEET
mm[inch]	CINDY	VINCENT	Apr. 24, '19	2 of 2