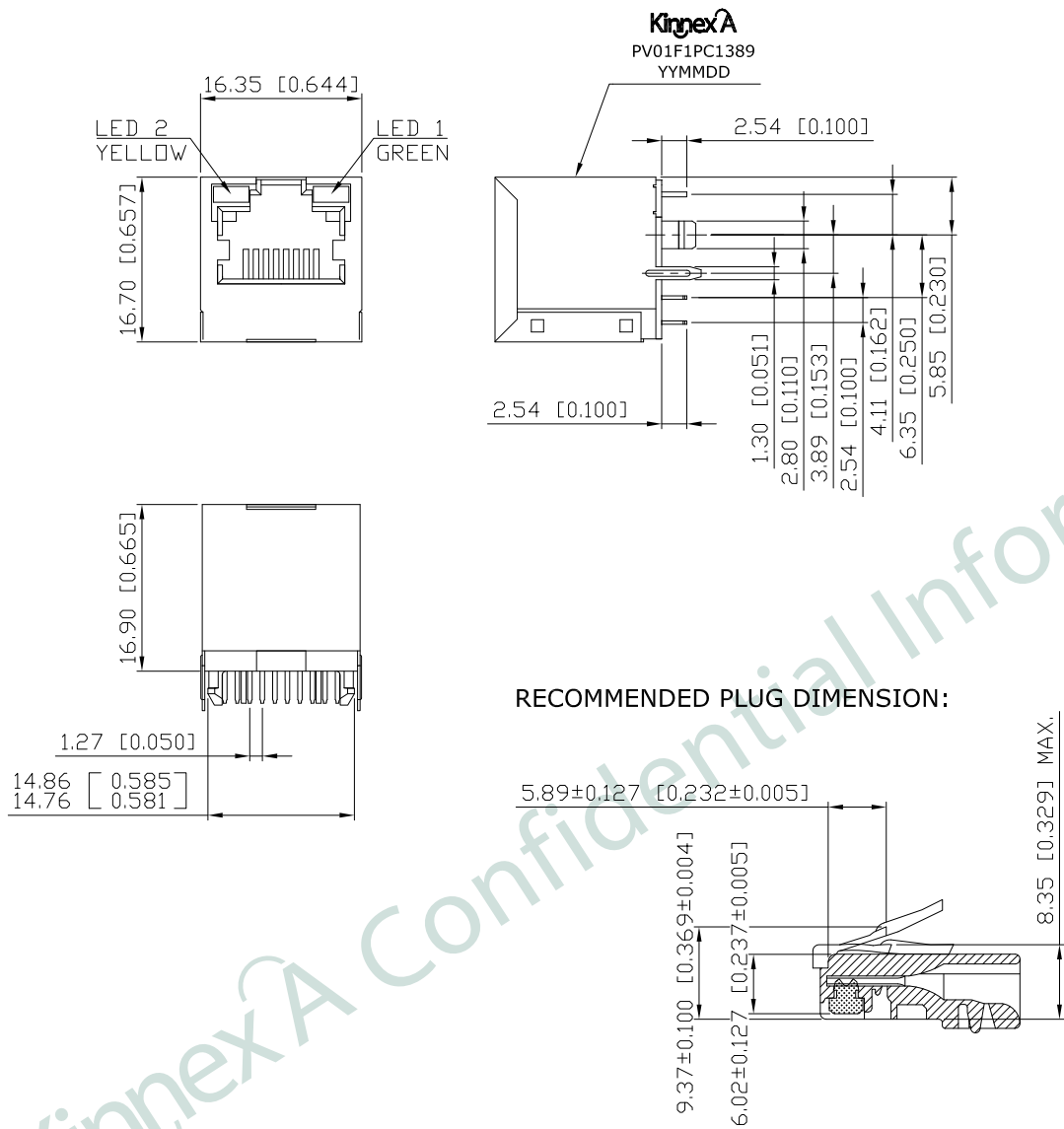


1. MECHANICAL DIMENSIONS :

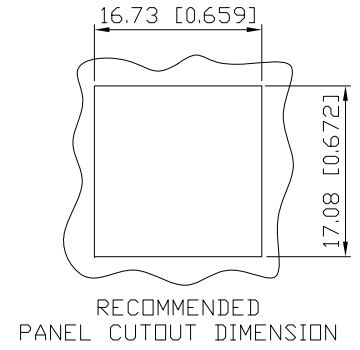
REV.	DATE	DESCRIPTION
01	Jan. 16, '18	1st RELEASE

RoHS Compliant

A  
B  
C  
D  
E  
F

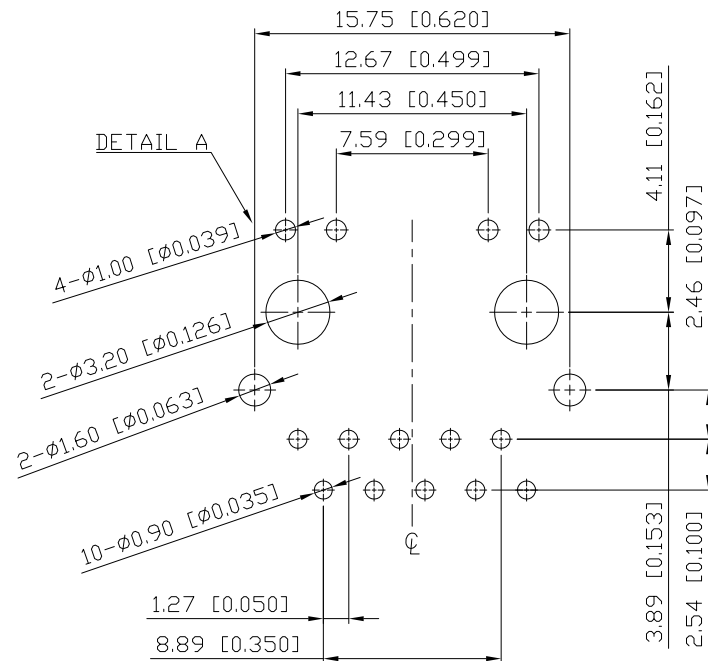


- NOTES:
- MATERIAL:  
HOUSING: HIGH THERMOPLASTIC, UL94V-0, BLACK  
CONTACTS: T=0.35mm PHOS-BRONZE,  
6u" GOLD PLATING AND TIN IN SOLDER AREA.  
SHIELD: T=0.25mm COPPER ALLOY, NICKEL PLATING
  - OPERATING TEMPERATURE: -40°C~+85°C
  - INSERTION FORCE: 4 POUNDS MAX.  
EXTRACTION FORCE: 4 POUNDS MAX.
  - DURABILITY: 750 MATING CYCLED MIN.
  - CAVITY CONFORMS TO FCC RULES AND REGULATIONS PART 68, SUBPART F.
  - UNSPECIFIED TOLERANCE: .XX ±0.25[0.010]  
.X ±0.30[0.012]

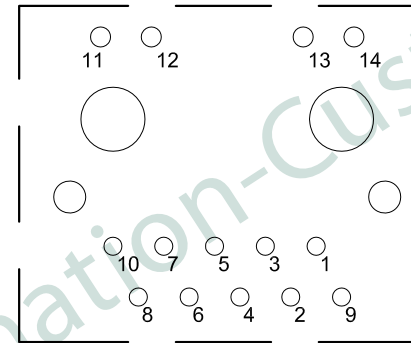


PART NO		KPV-01F-1-PC1-389		
TITLE	RJ45, W/ 10/100 TRANSFORMER AND PoE, W/LED, SHIELDED, VERTICAL TYPE			
REV : 01				
UNIT	DRAWN	CHKD	DATE	SHEET
mm[inch]	CINDY	DANIEL	Jan. 16, '18	1 of 4

2. PCB LAYOUT :



SUGGESTED PCB LAYOUT  
(FRONT VIEW)  
DIMENSIONAL TOLERANCE: .XX ±0.08[0.003]



DETAIL A

KPV-01F-1-PC1-389

PRODUCT SERIES  
KPV: VERTICAL TYPE  
PoE TYPE

MECHANICAL TYPE  
01F: KPV 1 PORT SERIES

LED COLOR OPTION

CIRCUIT TYPE

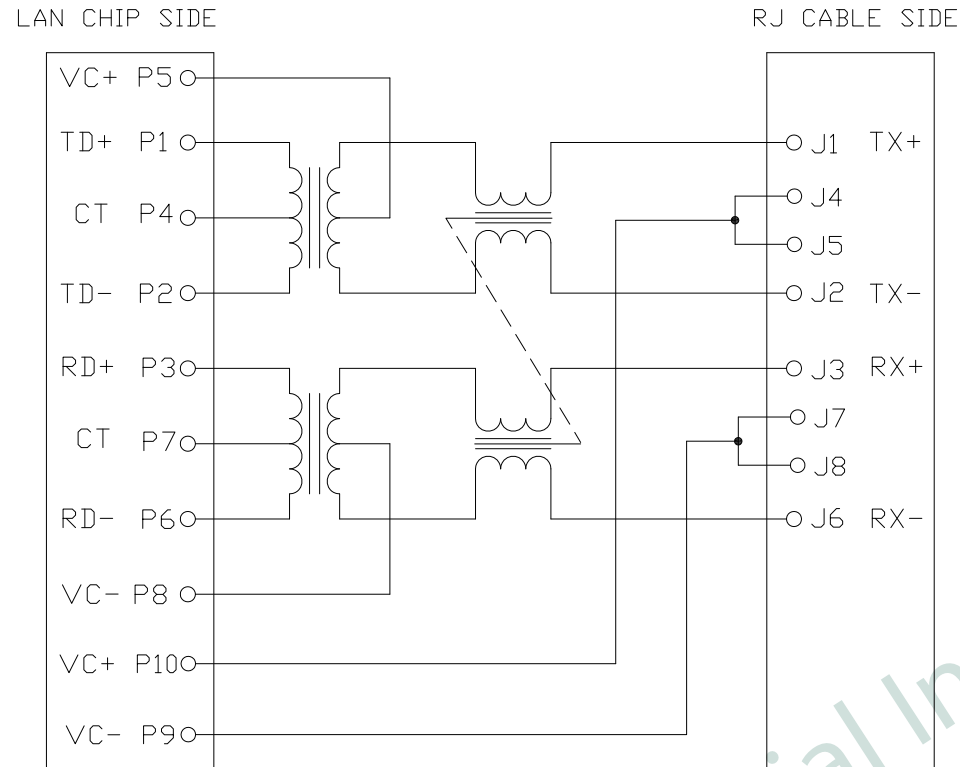
SPECIAL CODE  
9: CUSTOMER SPECIAL REQUEST

SHIELDED TYPE  
8: NON-EMI FINGER

LED POLARITY  
3: -+, -+

PART NO		KPV-01F-1-PC1-389		
TITLE	RJ45, W/ 10/100 TRANSFORMER AND PoE, W/LED, SHIELDED, VERTICAL TYPE			
REV : 01				
UNIT	DRAWN	CHKD	DATE	SHEET
mm[inch]	CINDY	DANIEL	Jan. 16, '18	2 of 4

### 3. SCHEMATIC :



### 4. ELECTRICAL CHARACTERISTICS :

TEST NOTES:(25±5°C)

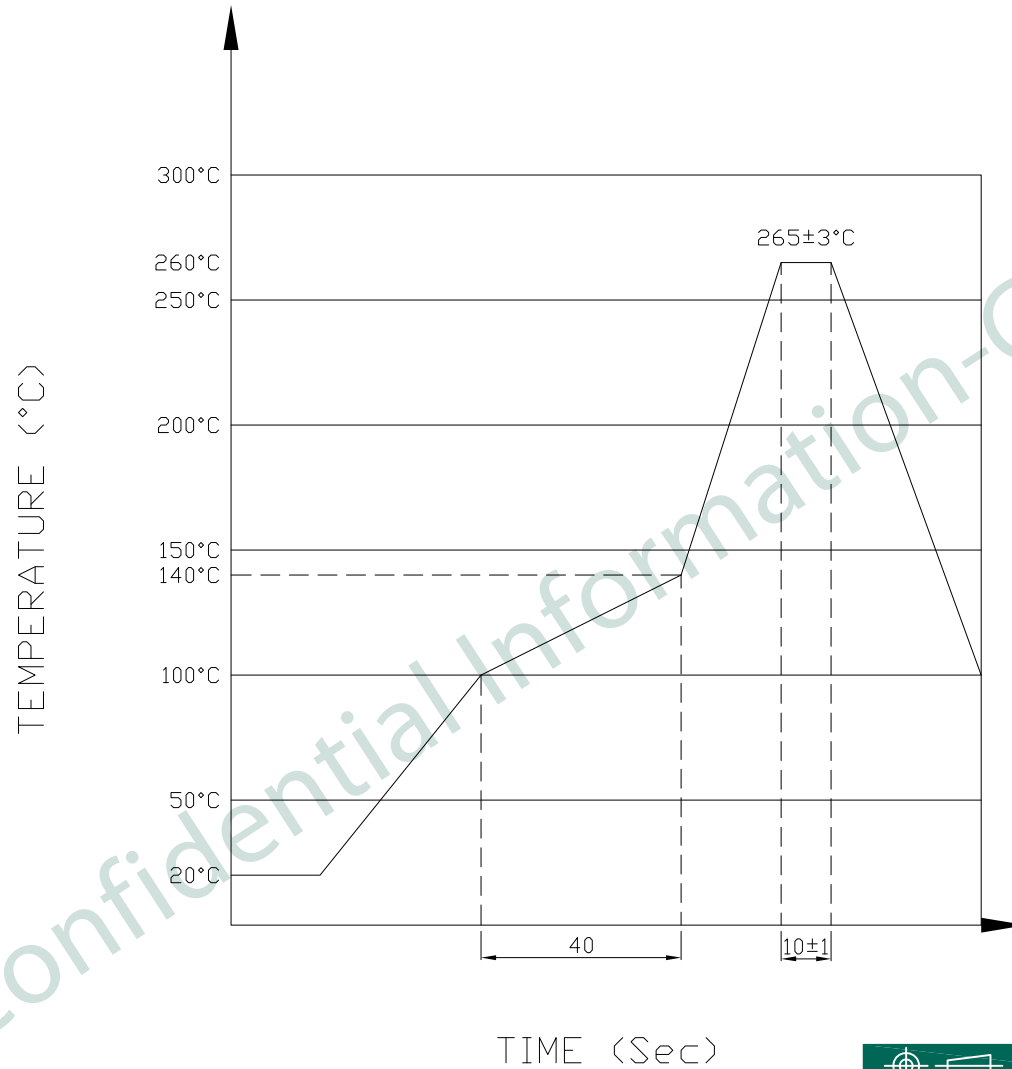
1. TR:  
INPUT TO OUTPUT=1:1±3%
2. LX:(100KHz,100mV,8mA, DC Bias)  
350uH MINIMUM
3. DCR:  
EVERY RJ PAIR=1.2 Ω MAXIMUM
4. HIPOT:  
INPUT(RJ SIDE) TO OUTPUT(LAN SIDE):  
1500 VAC/60SEC
5. INSERTION LOSS:  
-1.0dB MAXIMUM AT 0.3MHz TO 100MHz
6. RETURN LOSS:  
-20dB MINIMUM AT 1MHz TO 30MHz  
-15dB MINIMUM AT 30MHz TO 60MHz  
-10dB MINIMUM AT 60MHz TO 80MHz
7. CROSS TALK:  
-30dB MINIMUM AT 1MHz TO 100MHz
8. COMMON TO COMMON MODE REJECTION:  
-30dB MINIMUM AT 1MHz TO 100MHz
9. WORKING CURRENT FOR PoE: 360mA DC MAX



COLOR	VF(V) @20mA		IV(mcd) @20mA	IF(mA)	PEAK WAVE LENGTH λP(nm) @20mA
	TYP	MAX	TYP	TYP	TYP
YELLOW	2.2	2.6	15	20	588
GREEN	2.2	2.6	10	20	570

PART NO KPV-01F-1-PC1-389				
TITLE	RJ45, W/ 10/100 TRANSFORMER AND PoE, W/LED, SHIELDED, VERTICAL TYPE			
REV : 01				
UNIT	DRAWN	CHKD	DATE	SHEET
mm[inch]	CINDY	DANIEL	Jan. 16, '18	3 of 4

5. PROFILE OF WAVE SOLDER :



The measuring point for the specified temperature shall be on the soldered part of the lead

PART NO KPV-01F-1-PC1-389				
TITLE	RJ45, w/ 10/100 TRANSFORMER AND PoE, w/LED, SHIELDED, VERTICAL TYPE			
REV : 01				
UNIT	DRAWN	CHKD	DATE	SHEET
mm[inch]	CINDY	DANIEL	Jan. 16, '18	4 of 4