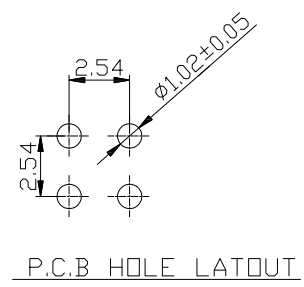
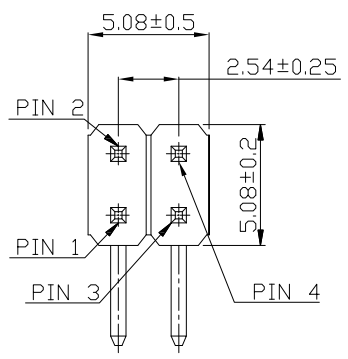
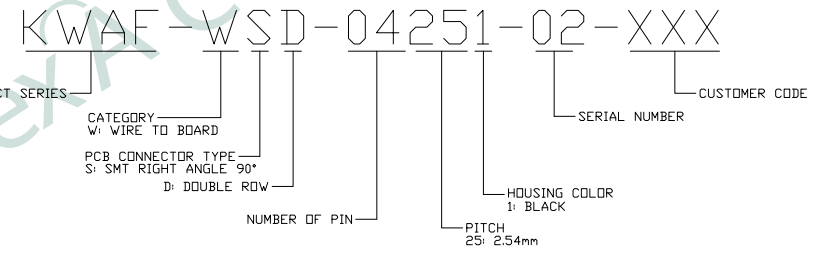
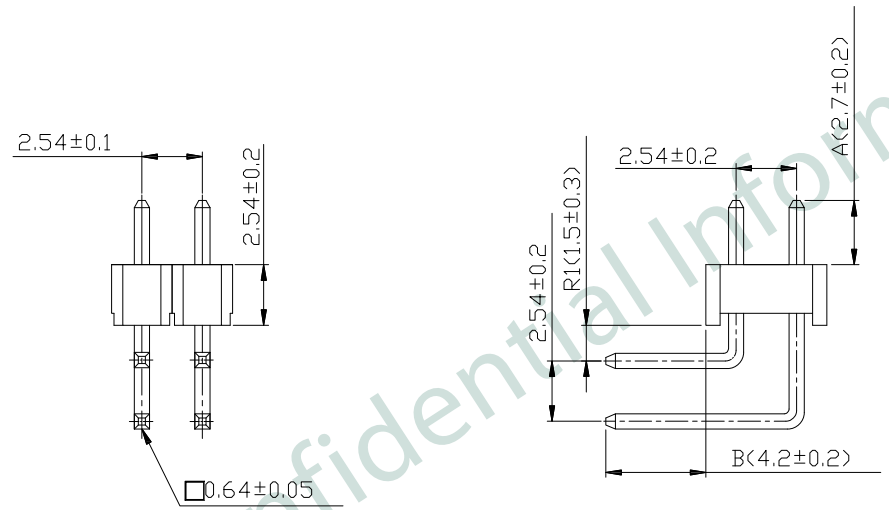


REV.	DATE	DESCRIPTION
01	May. 26, '20	1st RELEASE



- NOTES:
- SPECIFICATIONS
 CURRENT RATING: 3Amps
 OPERATING TEMPERATURE: -40°C ~ +105°C
 CONTACT MATERIAL: COPPER ALLOY
 INSULATION RESISTANCE: 5000MΩ MIN.
 DIELECTRIC WITHSTANDING: AC 1000 V
 INSULATOR MATERIAL: POLYESTER, UL 94V-0
 STANDARD: P.B.T / NL-6T / LCP
 FINISH: TIN, GOLD OR DUOLEX PLATED
 STANDARD: GOLD FLASH ALL OVER
 - UNSPECIFIED TOLERANCE: .XX ±0.15
 .X ±0.20



PART NO		KWAF-WSD-04251-02-XXX		
TITLE	WIRE TO BOARD, SMT RIGHT ANGLE 90°, DOUBLE ROW, PITCH=2.54mm			
REV : 01				
UNIT	DRAWN	CHKD	DATE	SHEET
mm[inch]	CINDY	VINCENT	May. 26, '20	1 of 1

ROHS Compliant