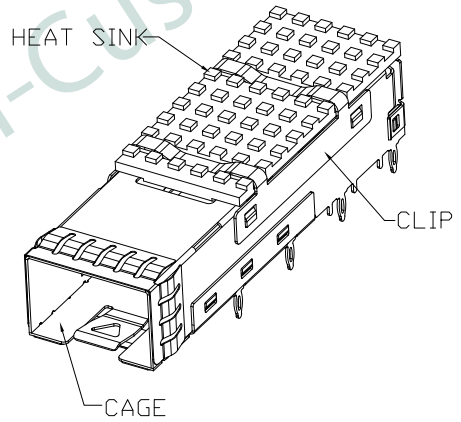
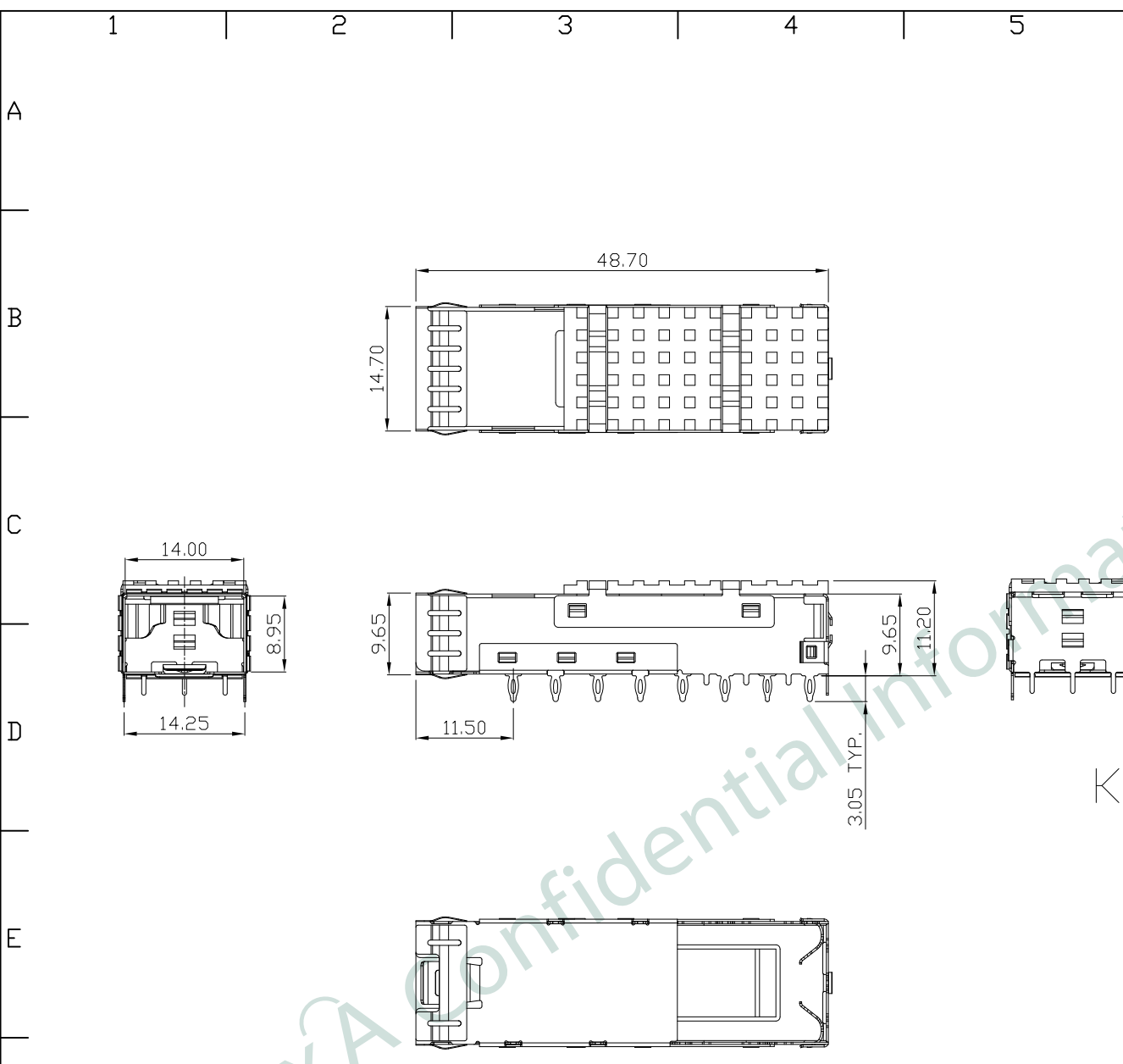


REV.	DATE	DESCRIPTION
01	Nov. 08, '18	1st RELEASE

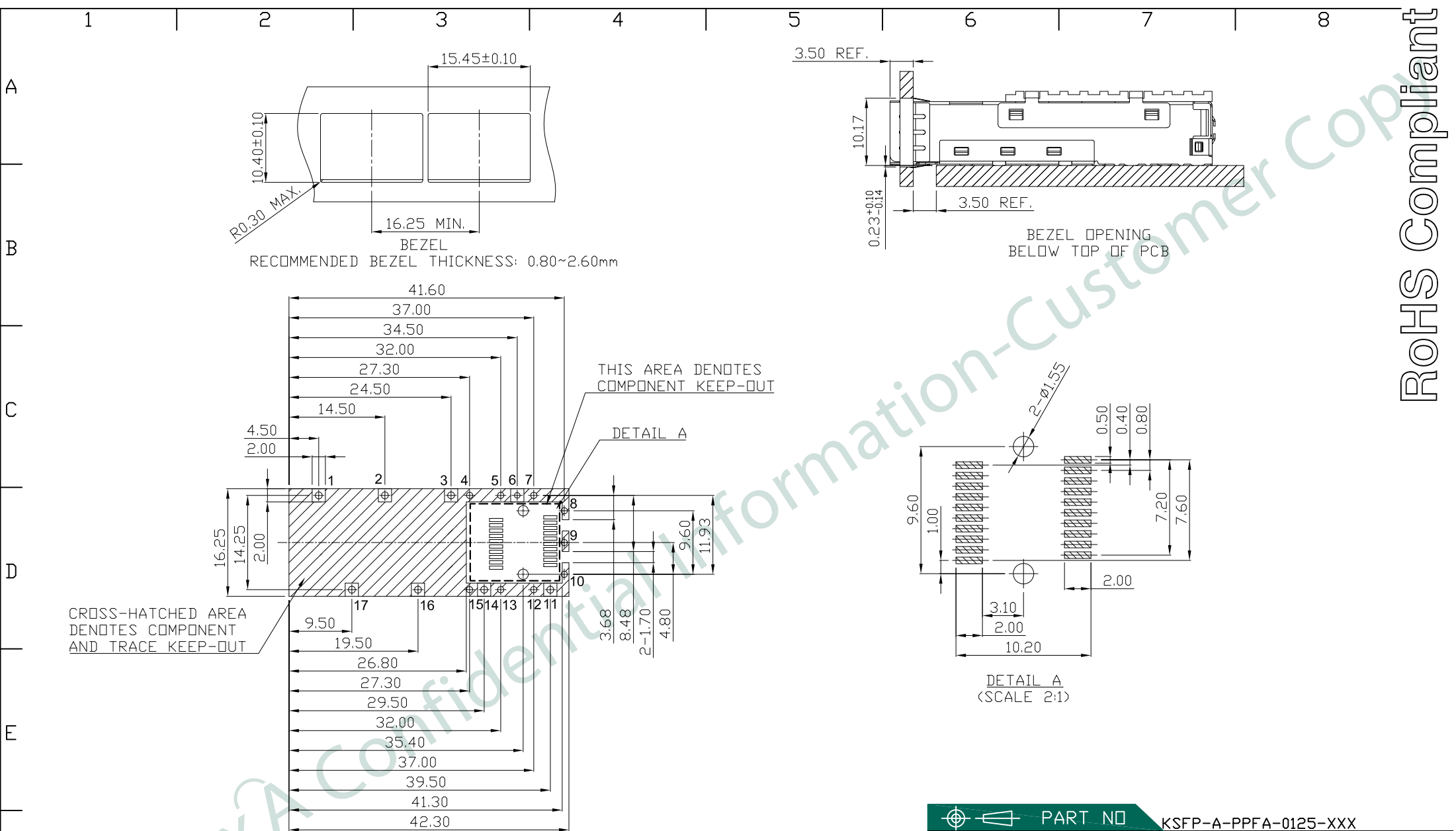
NOTE:
 1. MATERIAL
 CAGE: T=0.25mm, COPPER ALLOY
 HEAT SINK: ALUMINUA
 CLIP: STAINLESS STEEL
 2. UNSPECIFIED TOLERANCE: .XXX ±0.15
 .XX ±0.25
 .X ±0.35



KSFP-A-PPFA-0125-XXX

PRODUCT A: CAGE
 CATAGORY P: SFP+
 TERMINAL TYPE PF: PRESS FIT
 EMI TYPE A: EMI TAB
 CUSTOMER CODE
 SERIAL NUMBER
 OPTION 2: HEAT SINK
 NUMBER OF PORT

PART NO		KSFP-A-PPFA-0125-XXX		
TITLE	SFP+ CAGE, EMI TAB, HEAT SINK, PRESS FIT TYPE			
REV : 01				
UNIT	DRAWN	CHKD	DATE	SHEET
mm[inch]	CINDY	VINCENT	Nov. 08, '18	1 of 2



RECOMMENDED BEZEL THICKNESS: 0.80~2.60mm

RECOMMENDED PCB THICKNESS: 2.36mm
(MINIMUM PCB THICKNESS: 1.57mm)
ALL TOLERANCES ARE ±0.05

NOTE:
1,2,3,11,14,16,17= Ø1.05mm,
4,5,7,8,9,10,12,13,15= Ø0.95mm,
6= Ø0.85mm

PART NO		KSFP-A-PPFA-0125-XXX		
TITLE	SFP+ CAGE, EMI TAB, HEAT SINK, PRESS FIT TYPE			
REV : 01				
UNIT	DRAWN	CHKD	DATE	SHEET
mm[inch]	CINDY	VINCENT	Nov. 08, '18	2 of 2