

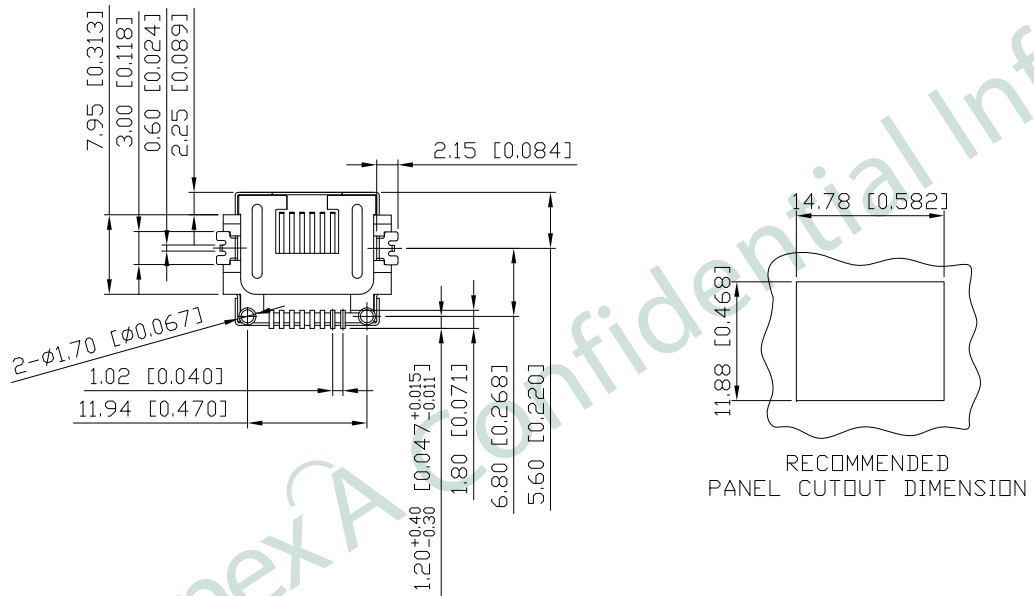
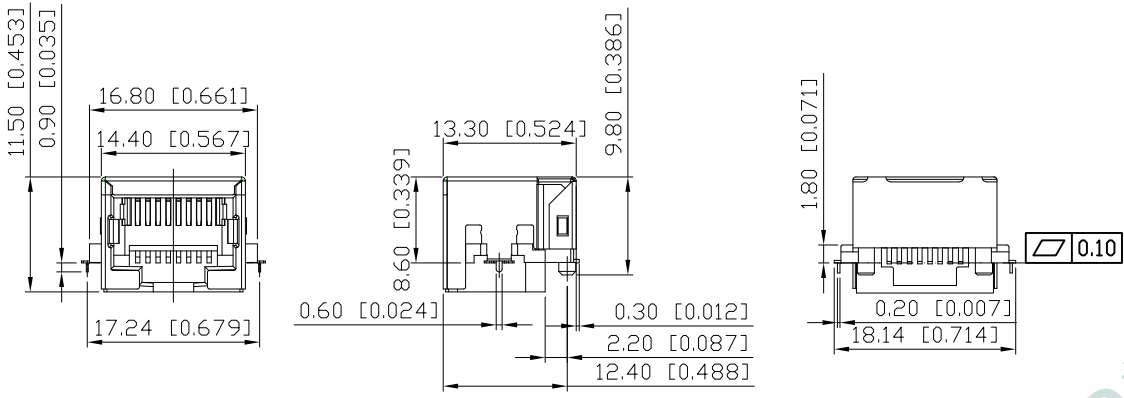
1. MECHANICAL DIMENSIONS :

REV.	DATE	DESCRIPTION
02	Nov, 14, '19	DESIGN CHANGE
01	Feb, 08, '18	1st RELEASE

NOTES:

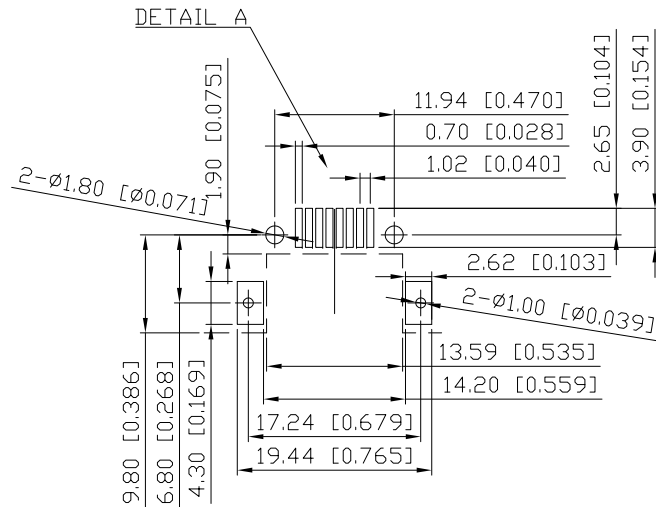
- MATERIAL:
HOUSING: HIGH THERMOPLASTIC, UL94V-0, BLACK
CONTACTS: T=0.30 PHOS-BRONZE,
GOLD FLASH PLATING ON CONTACT AREA,
NICKEL UNDERPLATING OVERALL
SHIELD: T=0.15mm COPPER ALLOY, NICKEL PLATING
- OPERATING TEMPERATURE: -40°C~+85°C
- INSERTION FORCE: 4 POUNDS MAX.
EXTRACTION FORCE: 4 POUNDS MAX.
- DURABILITY: 750 MATING CYCLED MIN.
- CAVITY CONFORMS TO FCC RULES AND REGULATIONS PART 68, SUBPART F.
- UNSPECIFIED TOLERANCE: .XX ±0.25[0.010]
.X ±0.30[0.012]

RoHS Compliant

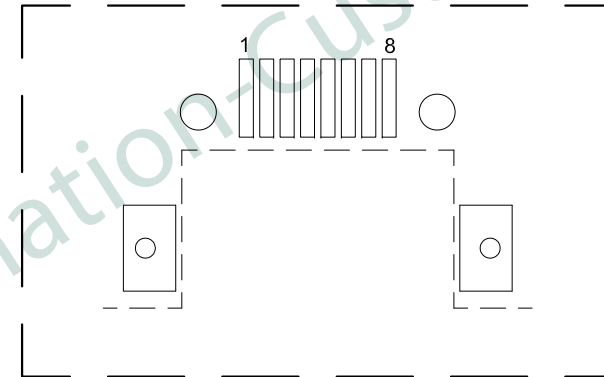


		PART NO KRS-S-01-8-8-0-GB5		
TITLE	RJ45 8P8C, W/D LED, SHIELDED, SMT TYPE			
REV : 02				
UNIT	DRAWN	CHKD	DATE	SHEET
mm[inch]	CINDY	VINCENT	Nov. 14, '19	1 of 4

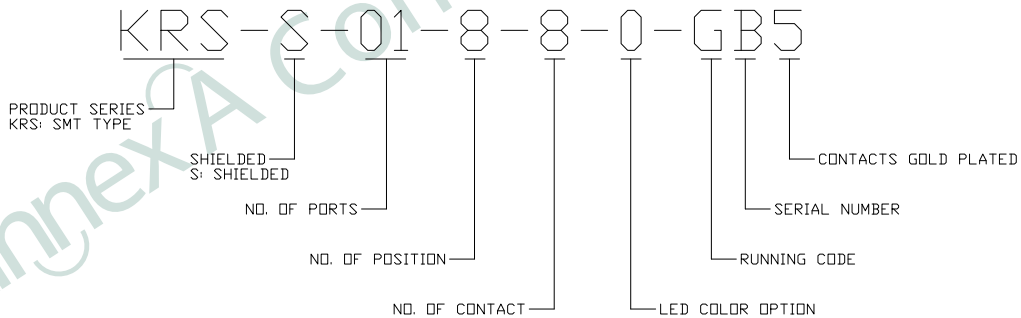
2. PCB LAYOUT :



SUGGESTED PCB LAYOUT
(TOP VIEW)
DIMENSIONAL TOLERANCE: .XX ±0.08[0.003]

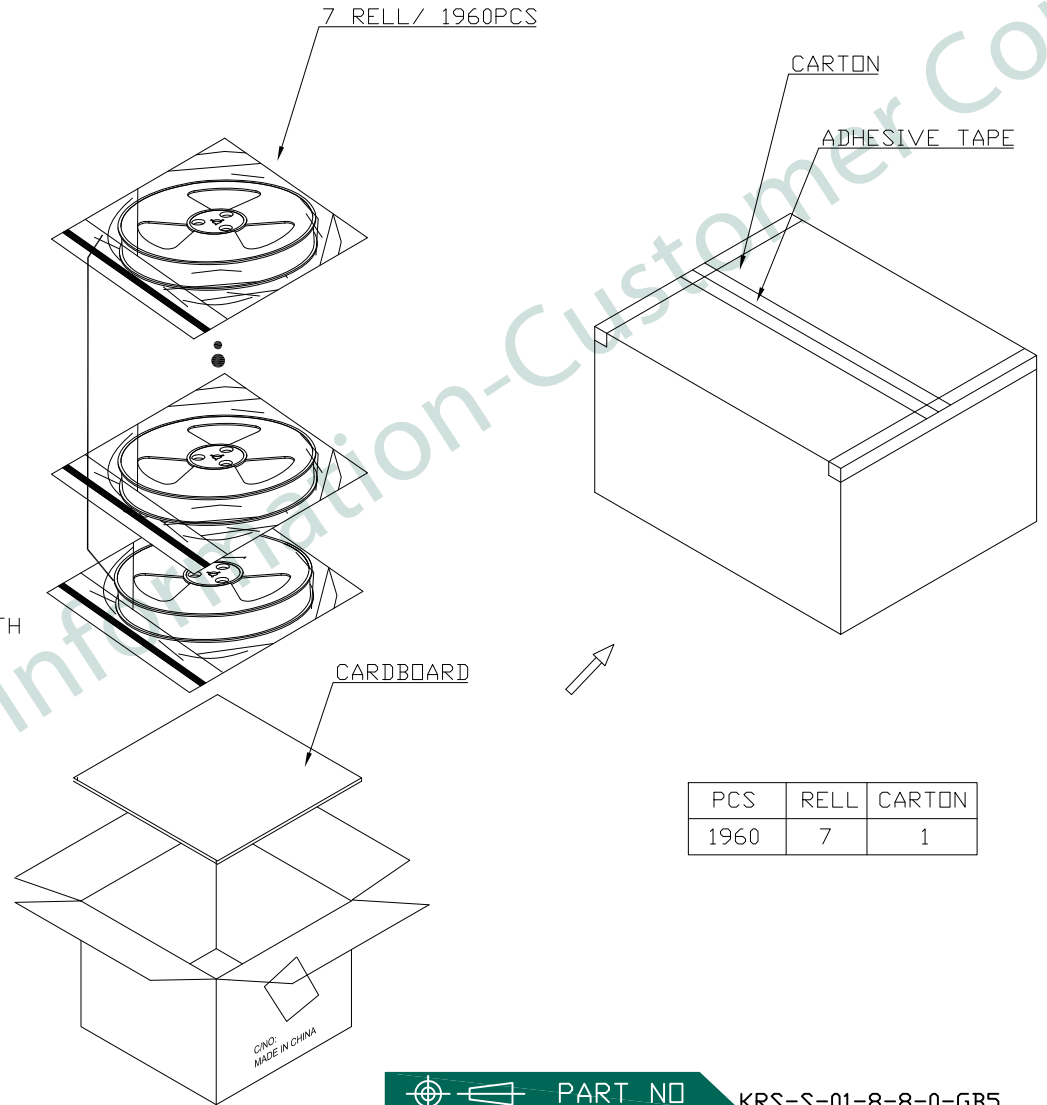
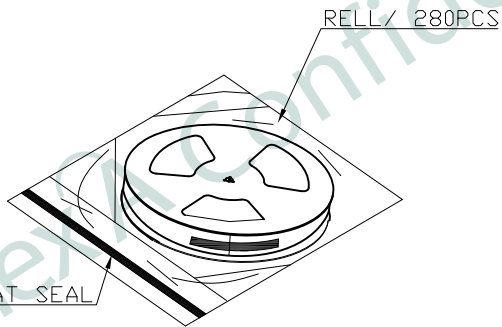
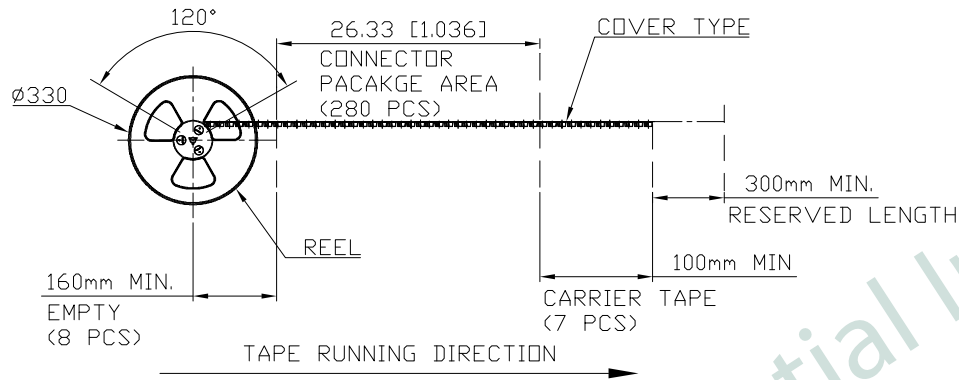
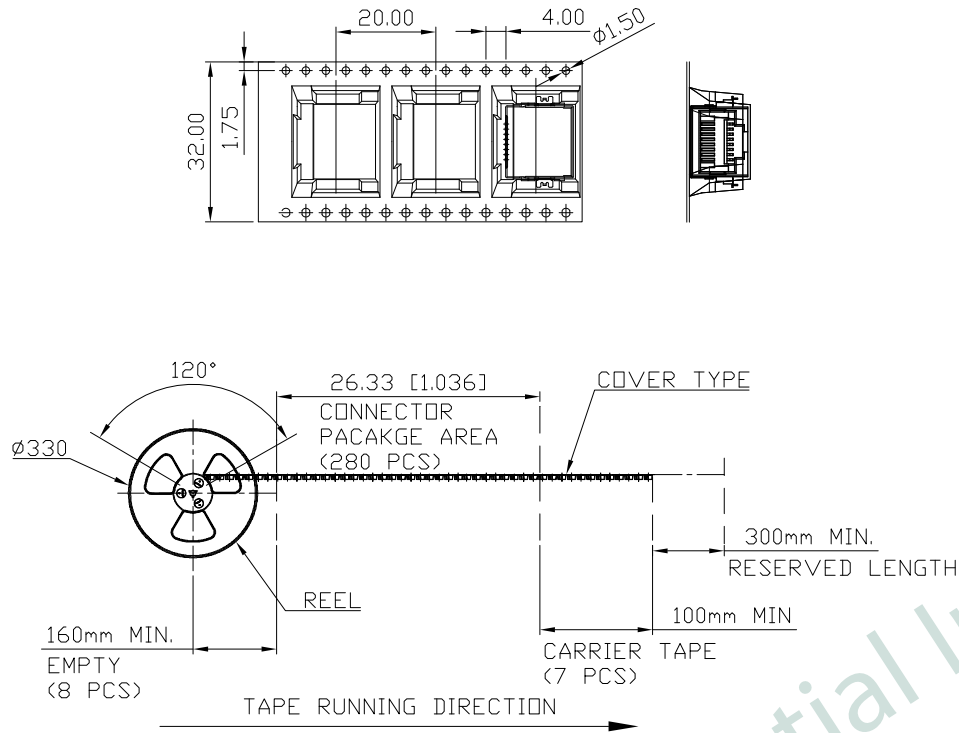


DETAIL A
SCALE 2:1



PART NO KRS-S-01-8-8-0-GB5				
TITLE	RJ45 8P8C, W/O LED, SHIELDED, SMT TYPE			
REV : 02				
UNIT	DRAWN	CHKD	DATE	SHEET
mm[inch]	CINDY	VINCENT	Nov. 14, '19	2 of 4

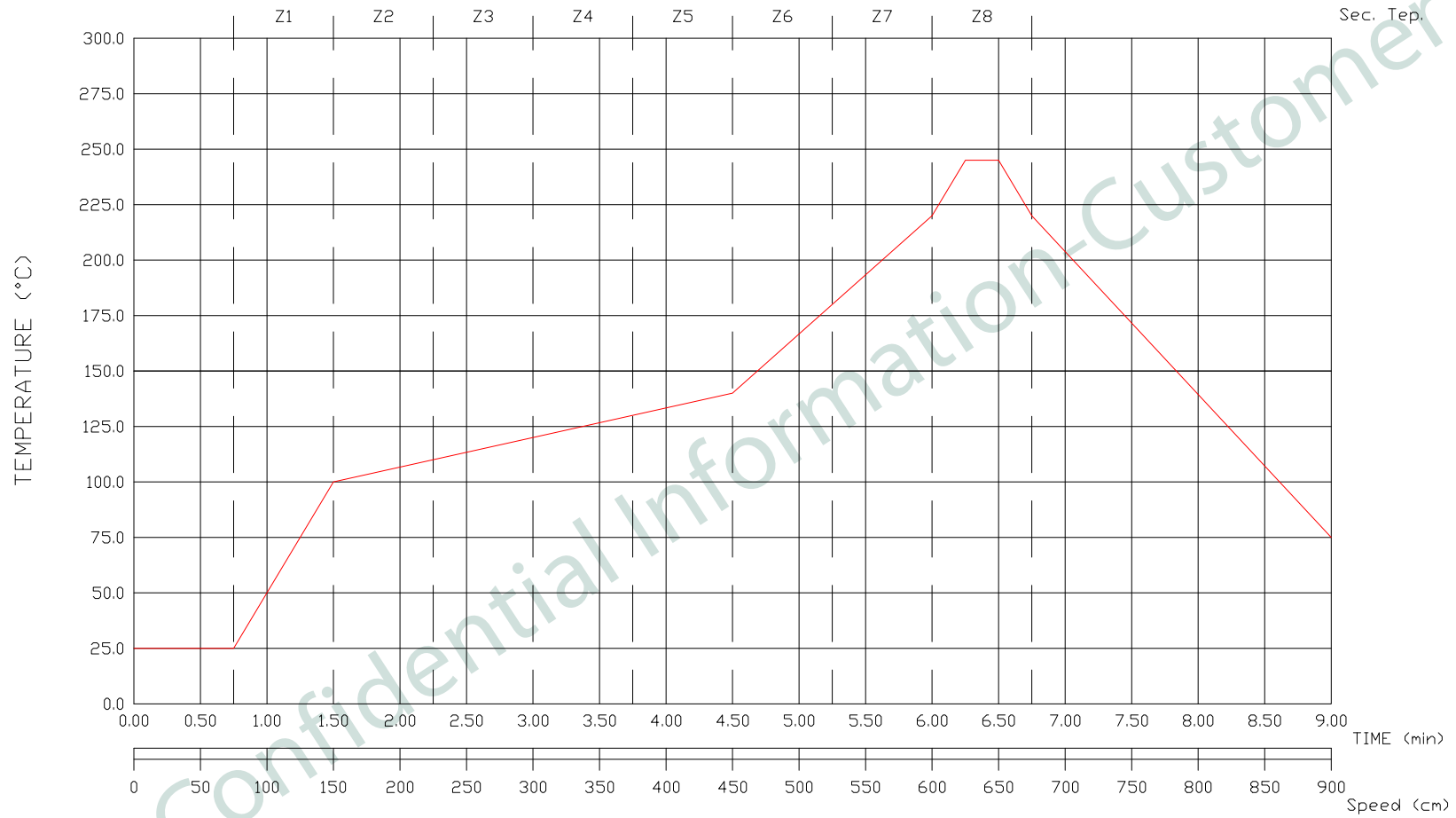
3. PACKING SPECIFICATION :



PCS	REEL	CARTON
1960	7	1

PART NO		KRS-S-01-8-8-0-GB5		
TITLE	RJ45 8P8C, W/D LED, SHIELDED, SMT TYEP			
REV : 02				
UNIT	DRAWN	CHKD	DATE	SHEET
mm[inch]	CINDY	VINCENT	Nov. 14, '19	3 of 4

4. PROFILE OF REFLOW :



PART NO		KRS-S-01-8-8-0-GB5		
TITLE		RJ45 8P8C, W/D LED, SHIELDED, SMT TYPE		
REV : 02				
UNIT	DRAWN	CHKD	DATE	SHEET
mm[inch]	CINDY	VINCENT	Nov. 14, '19	4 of 4

DWG NO KRS-S-01-8-8-0-GB5

KinnexA, INC. 8F, NO. 172, CHENG TEH ROAD SEC. 4, TAIPEI 11167, TAIWAN

Connected by **KinnexA**

PRELIMINARY RELEASE SUBJECT TO CHANGE

※ THIS DRAWING IS A CONTROLLED DOCUMENT ※

RoHS Compliant