

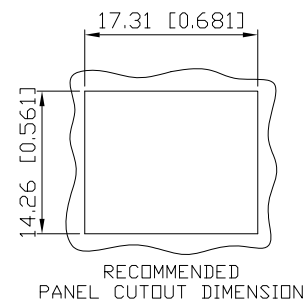
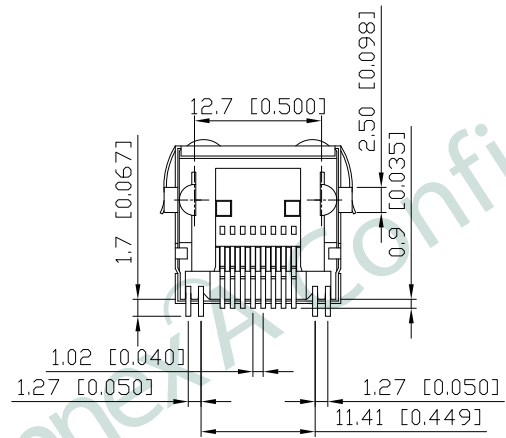
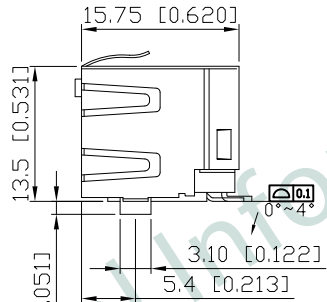
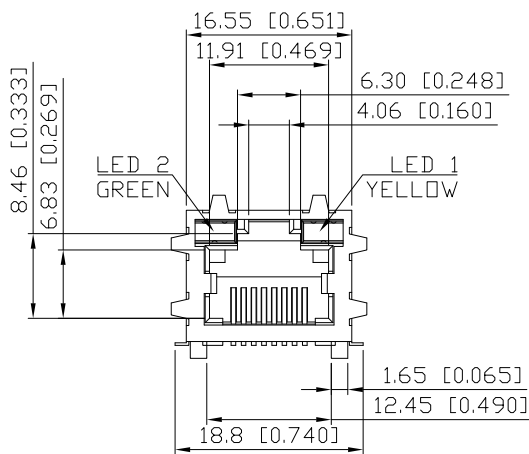
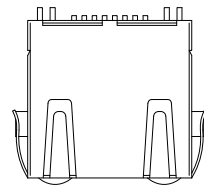
1. MECHANICAL DIMENSIONS :

REV.	DATE	DESCRIPTION
03	Mar. 16, '18	CHANGE PACKING SPECIFICATION
02	Jan. 10, '18	1. UPDATE NOTES 2. UPDATE PROFILE OF WAVE SOLDER
01	Nov. 17, '16	1st RELEASE

NOTES:

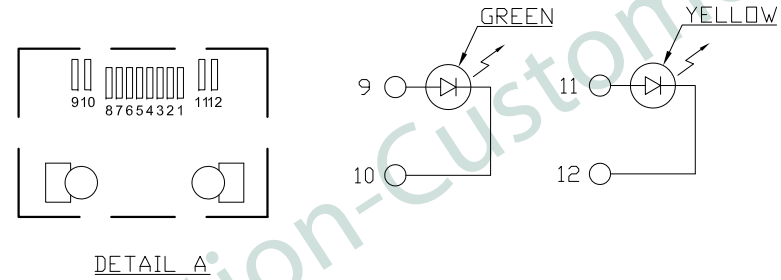
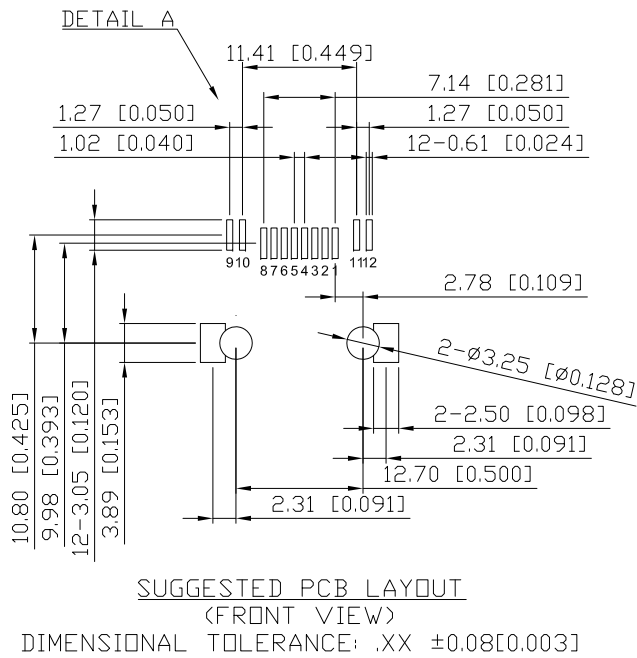
- MATERIAL:
HOUSING: HIGH THERMOPLASTIC, UL94V-0, BLACK
CONTACTS: PHOS-BRONZE,
6u" GOLD PLATING ON CONTACT AREA,
GOLD FLASH ON SOLDER TAIL,
NICKEL UNDERPLATING OVERALL
SHIELD: COPPER ALLOY, NICKEL PLATING
LED SOLDER TAIL: STEEL, TIN PLATING
- OPERATING TEMPERATURE: -40°C~+85°C
- INSERTION FORCE: 4 POUNDS MAX.
EXTRACTION FORCE: 4 POUNDS MAX.
- DURABILITY: 750 MATING CYCLED MIN.
- CAVITY CONFORMS TO FCC RULES AND REGULATIONS PART 68, SUBPART F.
- UNSPECIFIED TOLERANCE: .XX ±0.25[0.010]
.X ±0.30[0.012]

A
B
C
D
E
F

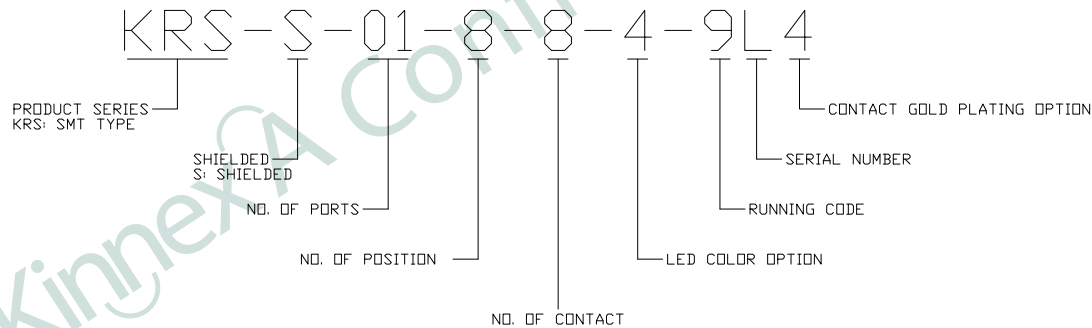


PART NO		KRS-S-01-8-8-4-9L4		
TITLE	RJ45 8P8C, W/LED, SHIELDED, SMT TYPE			
REV : 03				
UNIT	DRAWN	CHKD	DATE	SHEET
mm[inch]	DANIEL	VINCENT	Mar. 16, '18	1 of 4

2. PCB LAYOUT :



COLOR	VF(V) @20mA		IV(mcd) @20mA	IF(mA)	PEAK WAVE LENGTH λP(nm) @20mA
	TYP	MAX	TYP	TYP	TYP
GREEN	2.2	2.6	10	20	570
YELLOW	2.2	2.6	15	20	588

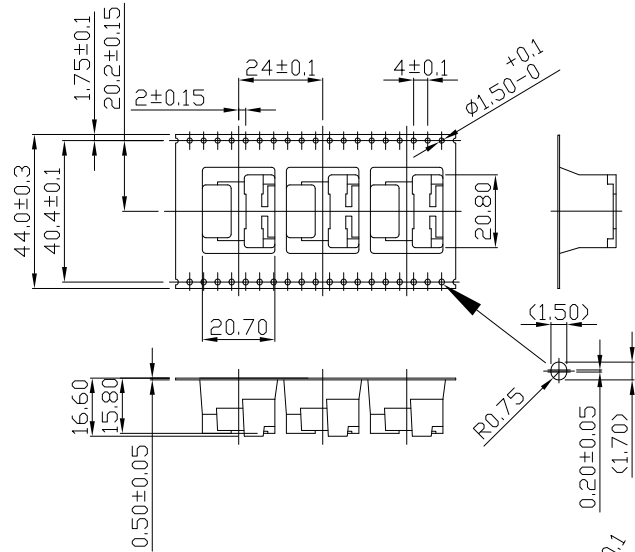


PART NO KRS-S-01-8-8-4-9L4				
TITLE	RJ45 8P8C, W/LED, SHIELDED, SMT TYPE			
REV : 03				
UNIT	DRAWN	CHKD	DATE	SHEET
mm[inch]	DANIEL	VINCENT	Mar. 16, '18	2 of 4

3. PACKING SPECIFICATION :

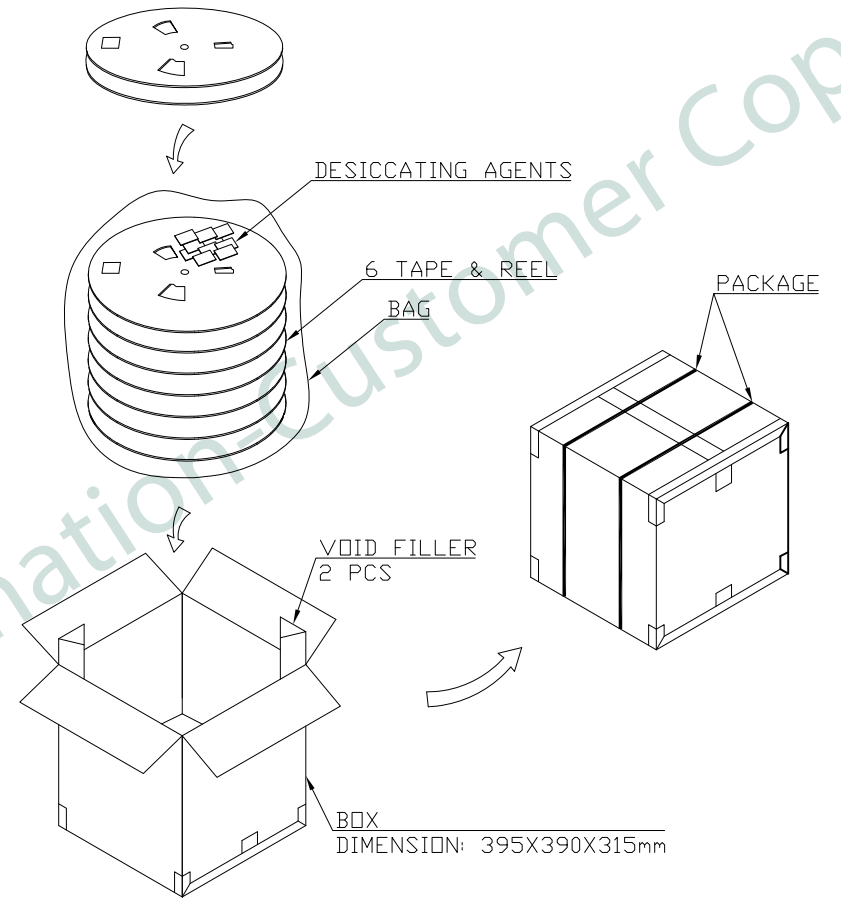
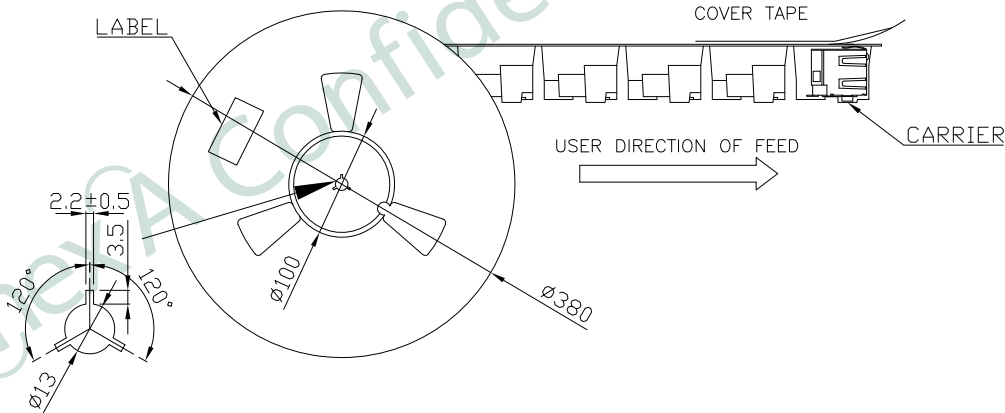
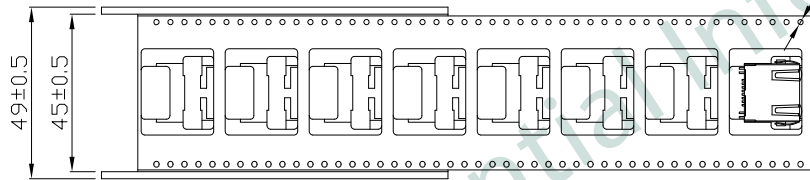
MATERIALS:

1. CARRIER-PS
(0.50mm THICK TAPE).
2. REEL-2mm THICK PLASTIC WHEEL.
(0.045mm~0.12mm THICK TAPE).
3. COVER TAPE-PE
(0.045mm~0.12mm THICK TAPE).




NOTES:

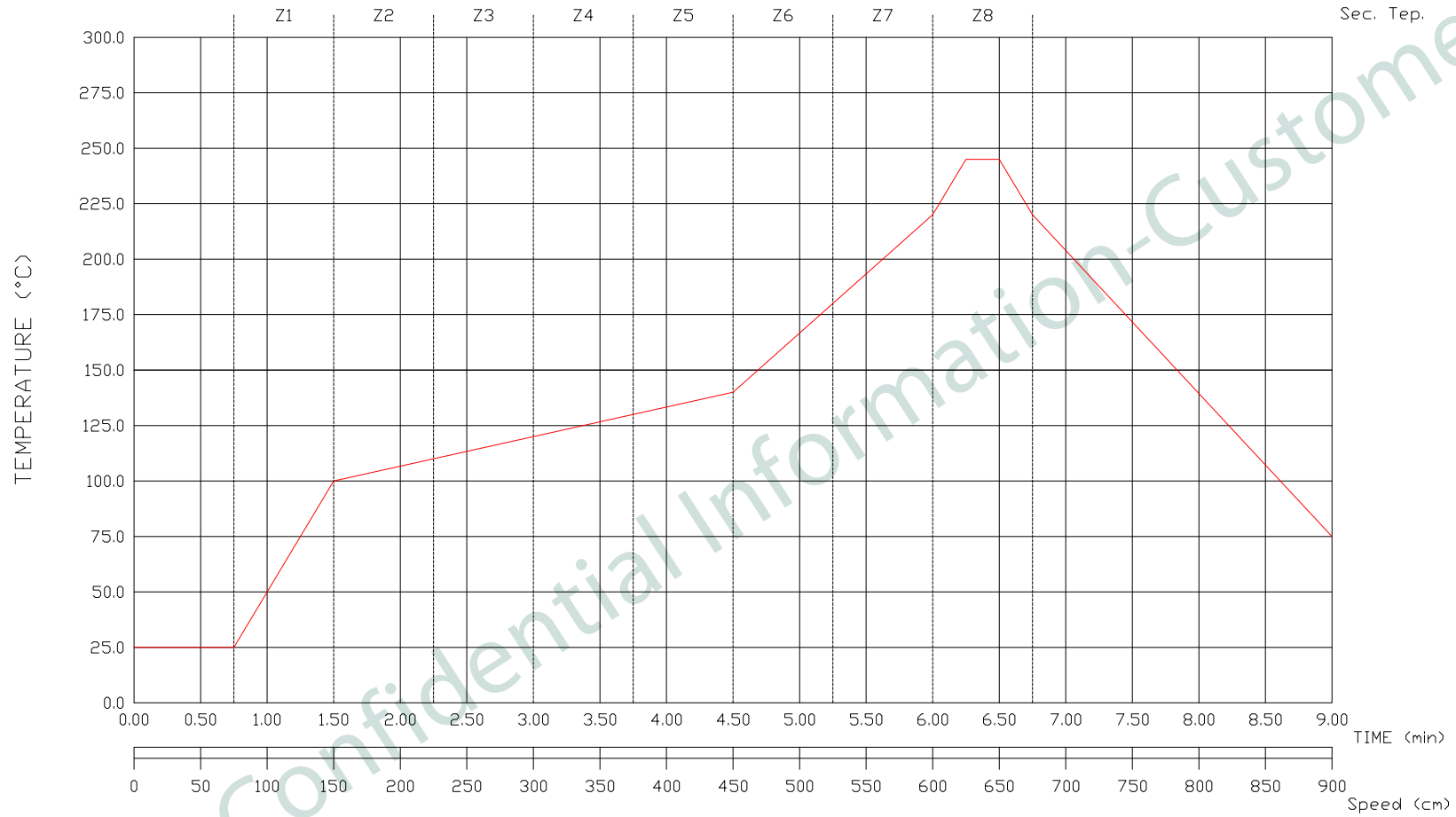
1. 10 EMPTY CAVITIES FOR BOTH OF TOP AND BOTTOM OF THE CARRIER.
2. 200 PCS PRODUCTS BE PACKAGED ON REEL.



- KG	- KG	1200	6	200
GROSS WEIGHT (REF.)	NET WEIGHT (REF.)	PCS/BOX	REELS/BOX	PCS/REEL

	PART NO	KRS-S-01-8-8-4-9L4		
TITLE	RJ45 8P8C, W/LED, SHIELDED, SMT TYPE			
REV : 03				
UNIT	DRAWN	CHKD	DATE	SHEET
mm[inch]	DANIEL	VINCENT	Mar. 16, '18	3 of 4

4. PROFILE OF REFLOW :



PART NO KRS-S-01-8-8-4-9L4				
TITLE	RJ45 8P8C, W/LED, SHIELDED, SMT TYPE			
REV : 03				
UNIT	DRAWN	CHKD	DATE	SHEET
mm[inch]	DANIEL	VINCENT	Mar. 16, '18	4 of 4

DWG NO KRS-S-01-8-8-4-9L4

KinnexA, INC. 8F, No. 172, CHENG TEH ROAD SEC. 4, TAIPEI 11167, TAIWAN

Connected by

PRELIMINARY RELEASE SUBJECT TO CHANGE

※ THIS DRAWING IS A CONTROLLED DOCUMENT ※

RoHS Compliant